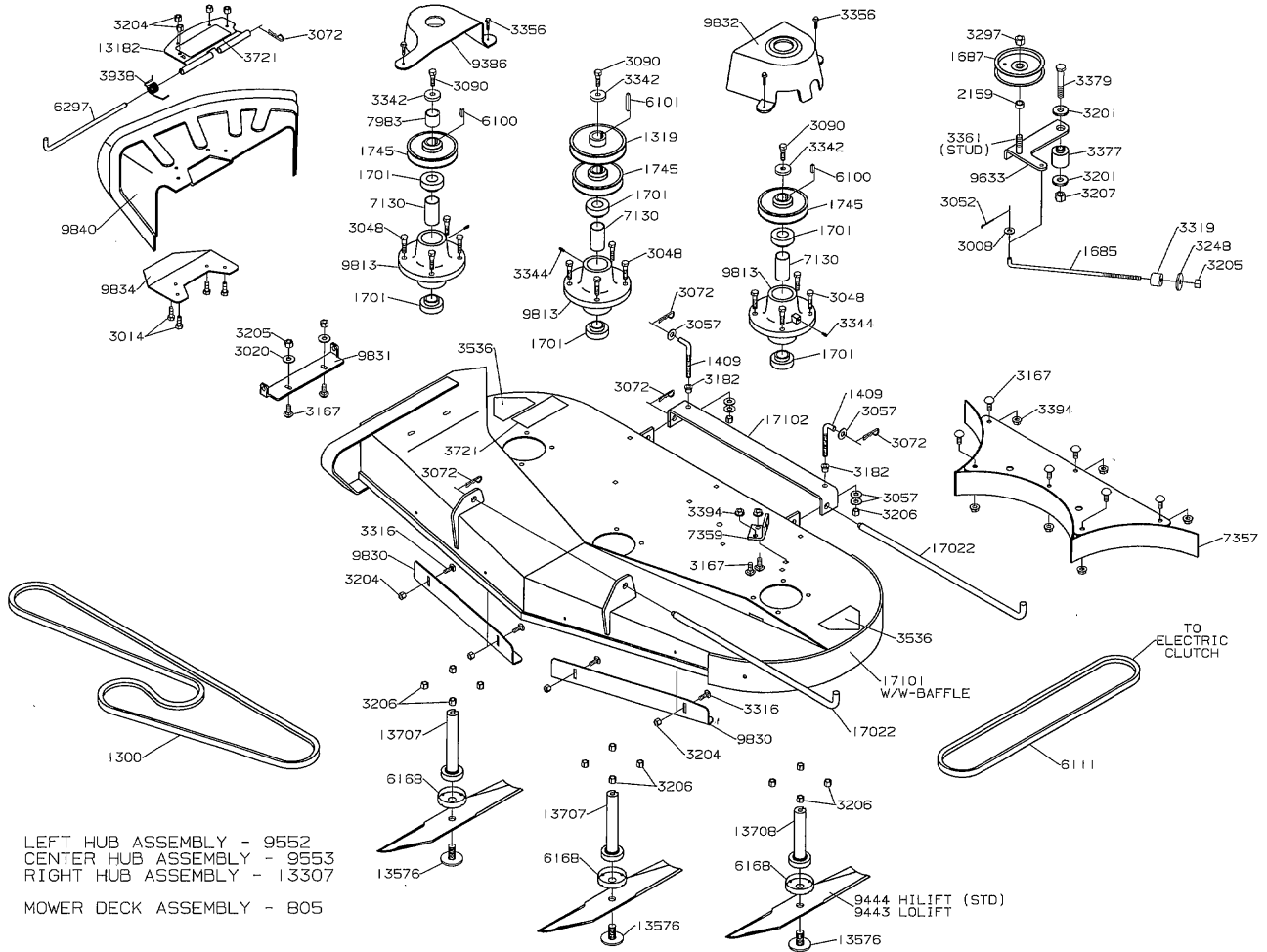






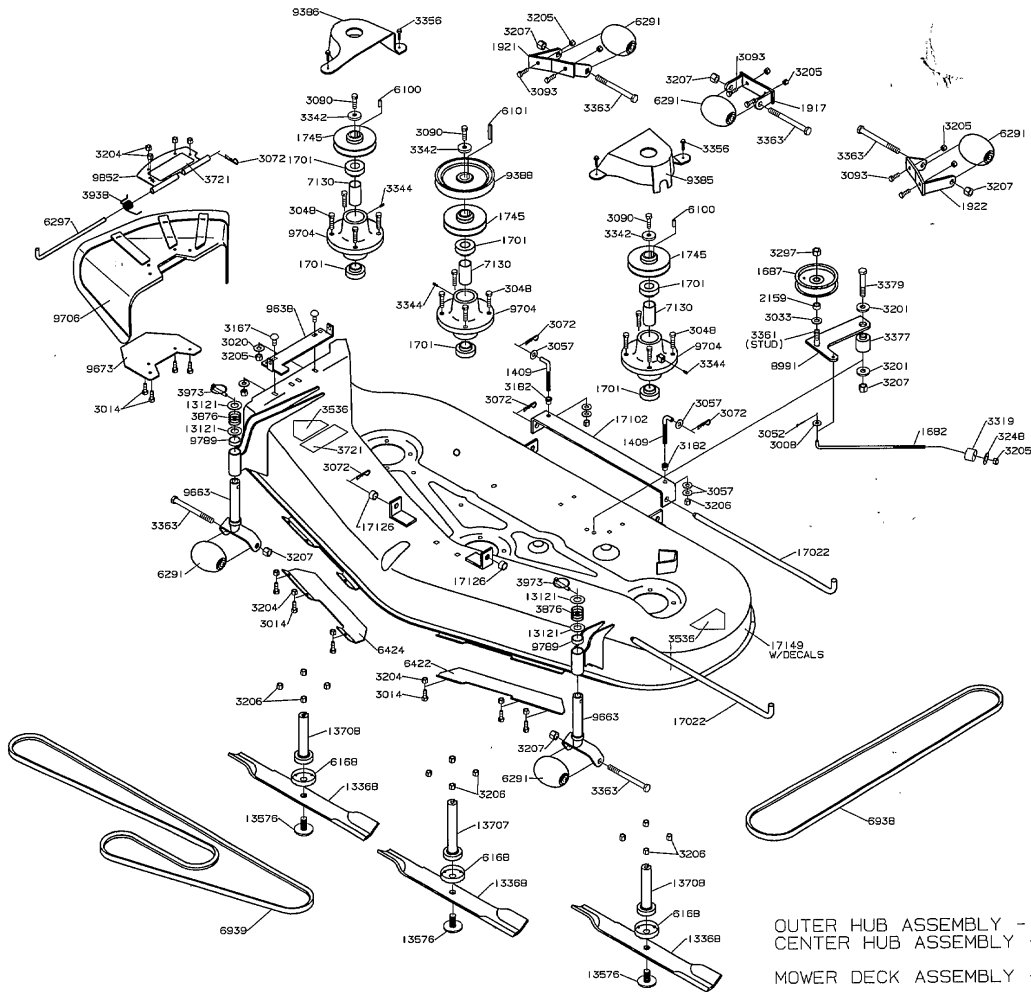
MODEL YEAR 2004

1950/2300 50" MOWER DECK



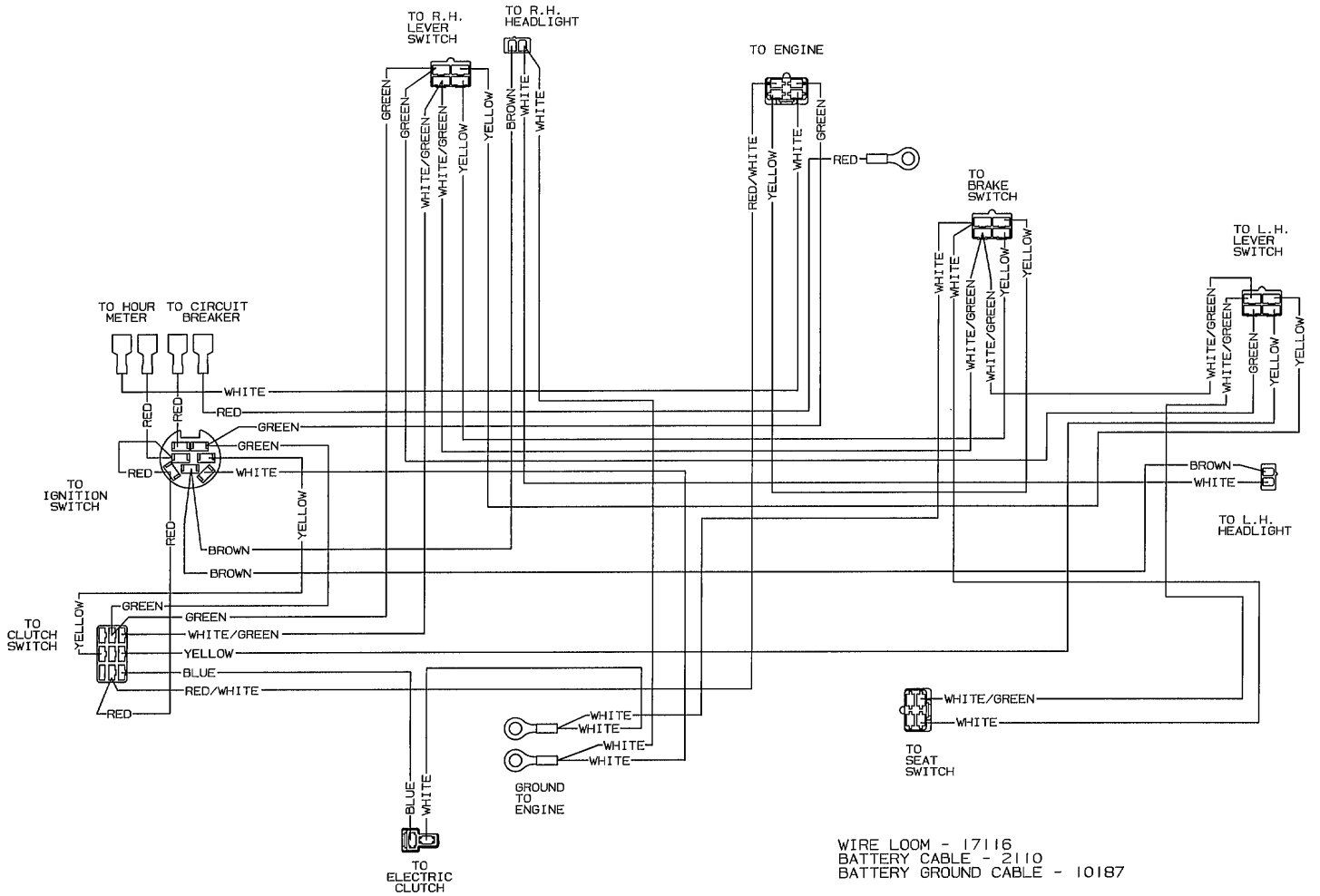
LEFT HUB ASSEMBLY - 9552  
CENTER HUB ASSEMBLY - 9553  
RIGHT HUB ASSEMBLY - 13307  
MOWER DECK ASSEMBLY - B05

TO  
ELECTRIC  
CLUTCH



**MODEL YEAR 2004**

**2300 60" DECK**



**MODEL YEAR 2004**

**2300 WIRING**