



**CAMPBELL  
HAUSFELD™**  
*BUILT TO LAST*

# Gasoline Powered Pressure Washers

*Refer to Product Manual for Detailed Safety Instructions*

**Assembly Instructions and  
Replacement Parts Manual**

**PW2120, PW2318,  
PW2408, and PW2418**

*Please read and save these instructions. Read carefully before attempting to assemble, install, operate or maintain the product described. Protect yourself and others by observing all safety information. Failure to comply with instructions could result in personal injury and/or property damage! Retain instructions for future reference.*

**Please record Model No. and Serial No. for use when contacting the manufacturer:**

**Model No.** \_\_\_\_\_ **Purchase date** \_\_\_\_\_

**Serial No.** \_\_\_\_\_ **Purchase place** \_\_\_\_\_

***For Information About This Product,  
call 1-800-330-0712***

<b>Contents</b>	<b>Page</b>
Safety Guidelines . . . . .	2
Assembly . . . . .	2
Start-up . . . . .	2-3
Shutdown . . . . .	3
Replacement Parts Ordering Instructions . . . . .	4-5
Maintenance . . . . .	6
Service Record . . . . .	6
Notes . . . . .	7-8

# Gasoline Powered Pressure Washers

## Safety Guidelines

This manual contains information that is very important to know and understand. This information is provided for SAFETY and to PREVENT EQUIPMENT PROBLEMS. To help recognize this information, observe the following symbols.

**⚠ DANGER** *Danger indicates an imminently hazardous situation which, if not avoided, WILL result in death or serious injury.*

**⚠ WARNING** *Warning indicates a potentially hazardous situation which, if not avoided, COULD result in death or serious injury.*

**⚠ CAUTION** *Caution indicates a potentially hazardous situation which, if not avoided, MAY result in minor or moderate injury.*

**⚠ NOTICE** *Notice indicates important information, that if not followed, may cause damage to equipment.*

## Unpacking

Remove the equipment and all parts from the carton. The carton should contain the following:

- One (1) Pressure washer (pump, engine, cart base)
- One (1) Cart handle Assembly
- One (1) Basket (not included with all models)
- One (1) Spray gun
- One (1) Lance with nozzle
- Five (5) Spray tips (not included with all models)
- One (1) High pressure hose
- One (1) Pack of nuts, bolts, manuals and Chemical Suction Tube with Filter

If any parts are missing, **DO NOT** return unit to the retailer. Know model number (located on serial number tag on frame) and call 1-800-330-0712 for replacement.

After unpacking the product, inspect carefully for any damage that may have occurred during transit. Make

sure to tighten fittings, bolts, etc., before putting unit into service.

**⚠ WARNING** *Do not operate unit if damaged during shipping, handling or use. Damage could result in bursting and cause injury or property damage.*

## See Product Manual for General Safety Information

## Assembly

1. Slide handle over legs and secure with bolts provided.
2. Insert removable spray tips and rubber grommets into holes provided on frame (if applicable).
3. Connect the clear plastic chemical suction tube with filter to chemical injector hose barb on the pump.
4. Connect the high-pressure hose to the pump outlet.
5. Connect the high-pressure hose to the gun.
6. Attach lance with nozzle to the gun.

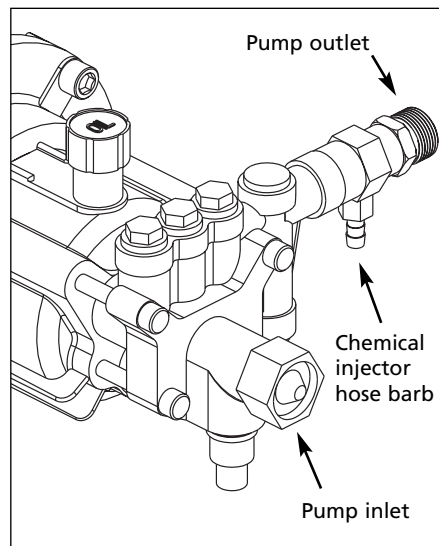


Figure 1 - Pump hook up

## Start Up

ALWAYS use this start up procedure to ensure that the unit is started safely and properly.

**⚠ CAUTION** *If water has frozen in the pressure washer, thaw in a warm room before starting. DO NOT pour hot water on or into the pump; internal parts will be damaged.*

### TRIGGER SAFETY LATCH

In the engaged position, the trigger safety latch prevents the gun from being triggered accidentally. Push latch fully down to engage (See Figure 2). Always engage trigger safety latch when unit is not in use.

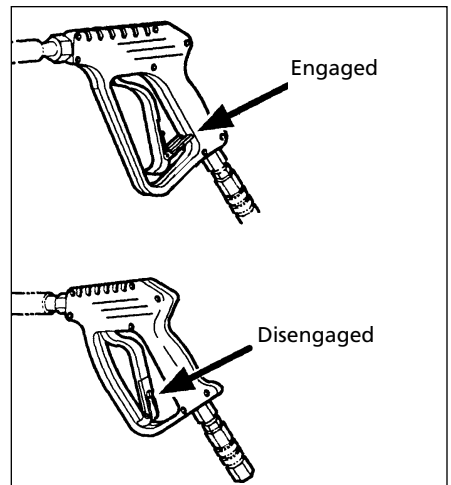


Figure 2 - Trigger Lock

1. Check oil levels. Add oil as necessary.

**NOTE:** Some units are equipped with a low-oil sensor that shuts engine off if oil level falls below a certain level. If unit stops unexpectedly, check both oil and fuel levels. Check oil level each time unit is refueled.

2. Check fuel level.

**⚠ WARNING** *DO NOT refuel a hot engine. Refueling a hot engine could cause a fire. Use only fresh, clean regular or unleaded gasoline. Close the fuel shutoff valve during refueling.*

3. Attach garden hose to inlet side of pump and connect to water supply. Hose should have an I.D. of 5/8" and not be longer than 50 ft. (15 M).

## Start Up (Continued)

**CAUTION** *Some local plumbing codes require backflow prevention when connecting to a fresh water supply. Install backflow preventer upstream from the pump if necessary.*

- If inlet water pressure is over 100 psi (7 bar) a regulating water valve must be installed at the garden hose connection.
- Do not exceed 100° F (38° C) inlet water temperature.

**NOTE:** The inlet water supply must have a minimum flow rate of 5 gpm (19 lpm).

- Turn on the water supply.

**CAUTION** *Never run the unit dry. BE SURE water supply is completely turned on before operating unit.*

- Trigger gun until water sprays from tip indicating all air is purged from system. Set trigger safety latch.
- Open fuel shutoff valve (if unit is equipped with valve). Be sure spark plug ignition cable is pushed firmly onto spark plug. On units equipped with an ignition shutoff switch, put switch in the "ON" position and put throttle in the "RUN" position.
- Start engine.

*If engine is cold,* completely close engine choke. Grasp starter rope, brace one foot on chassis then pull rope rapidly and firmly. Continue holding rope as it returns. Pull and return the rope until engine starts. In cool weather, the choke may have to be kept closed for 10 to 30 seconds to keep the engine running. Otherwise, open choke as soon as engine starts.

*If engine is warm,* leave choke open or just partially closed. Start engine then open choke completely.

**NOTICE** *Never let starter rope return by itself. This could jam the recoil system.*

- If engine does not start after 2-3 pulls, squeeze the gun trigger to release the pressure that has built

up in the high pressure hose. Go back to step 7 and repeat until engine starts.

## Shutdown

- Be sure all detergent is flushed from system.
- Turn off engine.
- Turn off water supply.
- After engine and water supply are turned off, trigger the gun to depressurize the system.

**CAUTION** *NEVER turn the water supply off before turning the engine off. Serious damage could occur to the pump and/or engine.*

**WARNING** *NEVER disconnect the high pressure discharge hose from the machine while the system is pressurized. To depressurize, turn engine off, turn water supply off and squeeze gun trigger 2-3 times.*

- After each use, wipe all surfaces of the pressure washer with a clean, damp cloth.

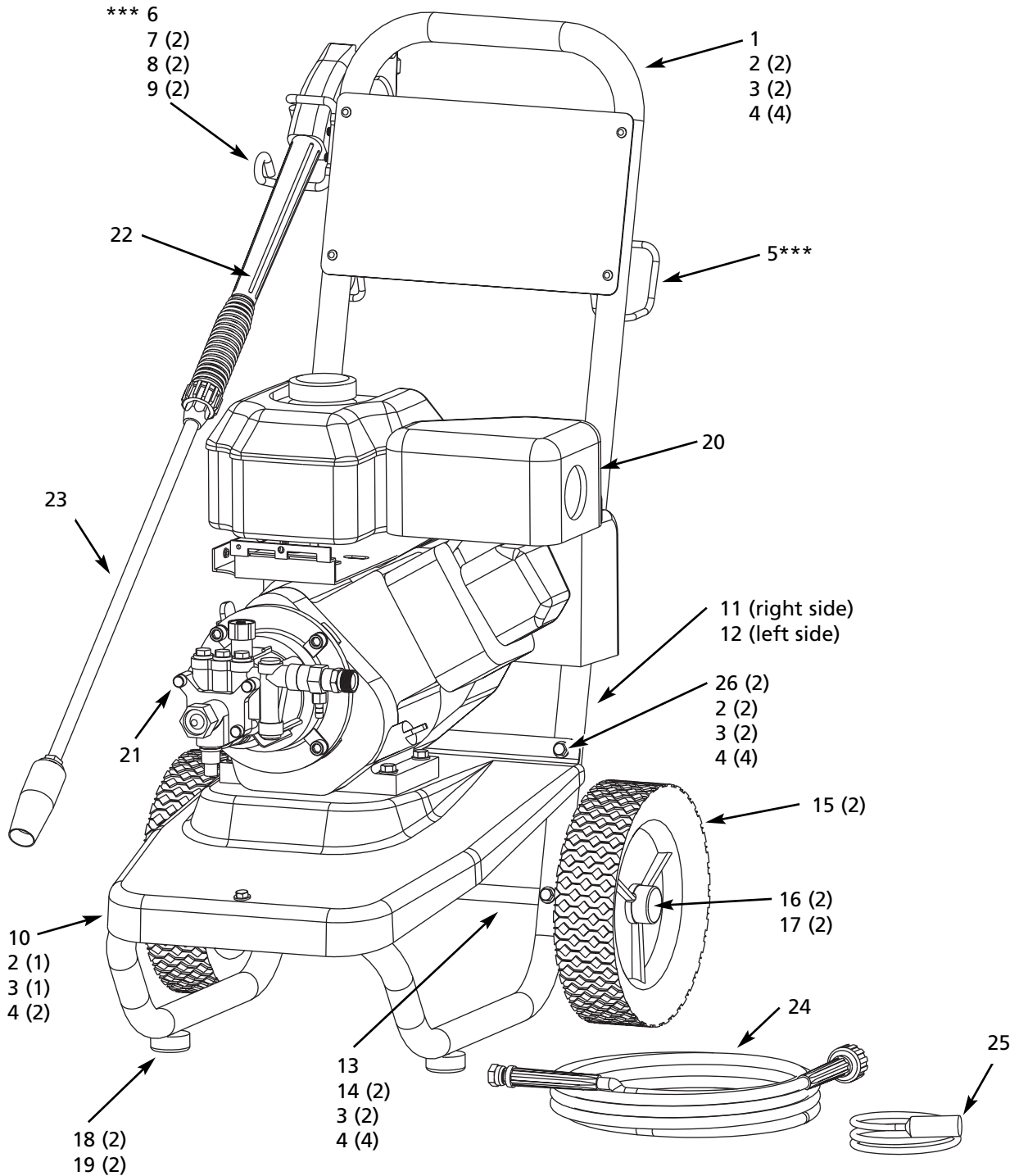
**NOTE:** A winterizing kit, (PW104200AJ) is available for long term storage.

## PRESSURE RELIEF PROCEDURE

To reduce the risk of bodily injury or property damage, always follow this procedure whenever spraying is stopped, when work is completed and before checking or repairing any part of the system.

- Engage the trigger safety latch.
- Turn unit off.
- Remove ignition cable from spark plug.
- Shut off water supply.
- Disengage trigger safety latch and trigger gun to relieve pressure.
- Re-engage trigger safety latch.
- Before overnight or long term storage or transporting unit, disconnect water supply and turn off the fuel supply valve.

# For Replacement Parts, Call 1-800-330-0712



## Replacement Parts List

Please provide following information:

- Model number
- Serial number (if any)
- Part description and number as shown in parts list

Address parts correspondence to:

The Campbell Group  
 Attn: Parts Department  
 100 Production Drive  
 Harrison, OH 45030 U.S.A.

Ref. No.	Description	PW2120	PW2318	PW2408	PW2418	Qty.
1	Handle/placard assembly	PM060020SJ	PM060020SJ	PM060020SJ	PM060020SJ	1
2	1/4-20 x 1.75 Hex head bolt	*	*	*	*	5
3	1/4-20 Nylock nut	*	*	*	*	7
4	Flatwasher, 1/4-20	*	*	*	*	14
5	Hose rack	PM223700AV	PM223700AV	PM223700AV	PM223700AV	1
6	Gun rack	PM033410AV	PM033410AV	PM033410AV	PM033410AV	1
7	10-24 x 1.75 Socket head cap screw	*	*	*	*	2
8	10-24 Nylock nut	*	*	*	*	2
9	Flatwasher, 10-24	*	*	*	*	2
10	Baseplate	PM223200AV	PM223200AV	PM223200AV	PM223200AV	1
11	Leg, right side	PM223610BH	PM223610BH	PM223610BH	PM223610BH	1
12	Leg, left side	PM223620BH	PM223620BH	PM223620BH	PM223620BH	1
13	Axle	PM224501BH	PM224501BH	PM224501BH	PM224501BH	1
14	1/4-20 x 2.0 Hex head bolt	*	*	*	*	2
15	Wheel	WA005100AV	WA005100AV	WA005100AV	WA005100AV	2
16	Hub cap	PM224400AV	PM224400AV	PM224400AV	PM224400AV	2
17	Push nut	MJ104700AV	MJ104700AV	MJ104700AV	MJ104700AV	2
18	Rubber bumper	AL062300AV	AL062300AV	AL062300AV	AL062300AV	2
19	1/4-20 x .75 Self tapping screw	*	*	*	*	2
20	Engine	PM004050AV	PM004100AV	PM226600AV	PM223000AV	1
21	Pump assembly**	PM223100SJ	PM223100SJ	PM223100SJ	PM223100SJ	1
22	Gun	PM005133AV	PM005133AV	PM005133AV	PM005133AV	1
23	Lance	PM035170AV	PM035170AV	PM035140AV	PM035140AV	1
24	Hose	PM012904AV	PM012904AV	PM012904AV	PM012904AV	1
25	Detergent tube and filter	PM013800AV	PM013800AV	PM013800AV	PM013800AV	1
26	1/4-20 x 1.50 Hex head bolt	*	*	*	*	2

\*Item available at local hardware store

\*\*See replacement parts list IN458000AV

\*\*\*Components not included with handle/placard assembly (ref #1)

# Gasoline Powered Pressure Washer

## Maintenance

Observe regular maintenance intervals to ensure maximum performance and life from the pressure washer. Refer to the schedule for recommended maintenance. If unit is operated in dusty conditions, perform maintenance checks more often.

### Maintenance Schedule

Maintenance Schedule	Action needed
Daily	Check water inlet screen and filter Check engine and pump oil levels. Fill as necessary Check gasoline level. Fill as necessary
After first 5 hours of operation	Change engine break-in oil. Drain oil when warm Use SAE30 or 10W-30 detergent oil
Every 25 hours of operation	Clean and remove air cleaner filter (if applicable) Wash with water and mild detergent. Dry thoroughly. Rub with oil and squeeze to distribute oil
Each 100 hours of operation or every 3 months	Clean or replace paper air cleaner cartridge. Tap gently to remove dirt Change engine oil. Use SAE30 detergent oil
Each 500 hours of operation or every 6 months (horizontal shaft units only)	Change pump oil. Use SAE30 non-detergent oil

## Service Record

Date	Maintenance performed	Replacement components required



