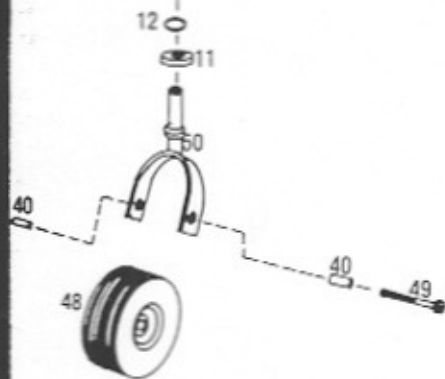
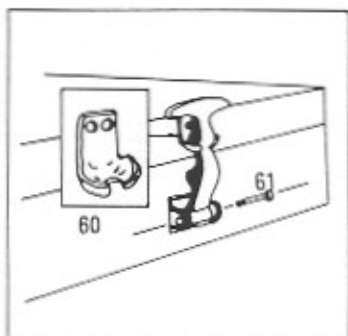
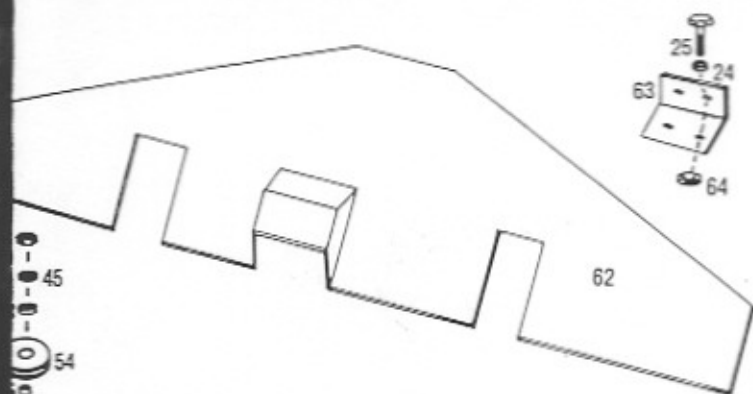


**PSG-48, PSG-60 AND PSG-76
CUTTING SECTION PARTS**



No.	Part No.	Description
1	306-017	Chute, Guard PSG-48
	306-016	Chute, PSG-60
	306-021	Chute, Discharge PSG-76
2	1916-051	Spring, C/S Lift
3	1604-043	Pin, Clevis B/W Guard
4	2301-020	Washer, 1/4" Flat
5	1604-002	Pin, Cotter 3/32" x 1"
6	209-108	Bolt, 5/16" x 3/4" USS Cap
7	2301-004	Washer, 5/16" Lock
8	2301-102	Washer, Flat
9	1913-121	Spacer, 1 1/4" OD x 1" x 1 1/2"
10	1913-120	Spacer, 1 1/4" OD x 1" x 1"
11	2301-098	Washer, 3/4" OD
12	1806-002	Ring, 1 1/4" OD x 1" O Ring ID

No.	Part No.	Description
13	603-004	Fitting, Grease
14	215-122	Bushing, 1 1/4" x 1" x 1"
15	1401-072	Nut, 3/4" SAE Flex Lock
16	2302-004	Wheel, C/S Small
17	2501-032	Yoke, 1" Rear C/S
18	215-025	Bushing, 3/4" ID x 2 1/2"
19	103-095	Axle, w/Grease Zerk
20	502-004	End, Rod
21	1401-070	Nut, SAE Jam
22	2301-011	Washer, 3/4" Star Lock
23	102-058	Arm, PSG-48 Cut Sec
	102-056	Arm, PSG-60 Cut Sec
	102-057	Arm, PSG-76 Cut Sec
24	2301-006	Washer, 3/4" Lock
25	209-314	Bolt, 3/4" x 1" NC HH

No.	Part No.	Description
26	605-095	Frame, PSG-48
	605-094	Frame, PSG-60
	605-093	Frame, PSG-76
27	1608-145	Pulley, Center PTO
28	1102-002	Key, 3/16" x 3/16" x 1"
29	407-007	Drive, Right Angle
30	1901-033	Screw, Set 5/16" x 3/4" SH
31	205-053	Belt, PSG-48 (Wing)
	205-061	Belt, Wing, RAD PSG-60
	205-073	Belt, PTO Trans PSG-76
32	205-046	Belt, PSG-48
	205-055	Belt, Wing, RAD PSG-60
	205-066	Belt, Trans PSG-76
33	1604-066	Pin, Roll 5/16" x 2 1/4"
34	1904-190	Shaft, Drive Complete
35	1809-003	Roller, Rubber C/S PSG
36	1604-042	Pin, Cotter
37	1809-003-002	Roller, Pin, Roller
38	209-634	Bolt, 3/4" x 2"
39	1608-095	Pulley, Idler (New C/S)
40	1913-232	Spacer, 3/4" OD x .36" OD x 1/2"
41	2301-010	Washer, 3/4" Lock
42	101-003	Adapt, Blade
43	1906-006	Shield, HUB
44	2301-096	Washer, Concave
45	2301-012	Washer, 3/4" LH Lock
46	1401-073	Nut, 5" LH SAE
47	206-748	Blade, PSG-48 Offset
	206-760	Blade, PSG-60 Offset
	206-776	Blade, PSG-76 Offset
48	2305-078	Wheel, Front PSG-48
	2305-059	Wheel, Assy, FRT C/S PSG-60 & PSG-76
49	209-168	Bolt, 3/4" x 6 1/2"
50	2501-031	Yoke, 1" FRT C/S PSG-48
	2501-040	Yoke, PSG-60 & PSG-76 (Front)
51	209-120	Bolt, 5/16" x 1 1/4" NC HH
52	204-060	Bearing, 3/4" HUB
53	2301-028	Washer, 1 1/8" OD x 3/4" ID x 13"
54	1608-144	Pulley, Wing
55	1913-200	Spacer, 1 1/4" OD x 3/8" ID x 1 1/2"
56	1102-001	Key, 3/16" x 3/16" x 1"
57	1904-063	Shaft, PSG-C/S
58	1401-020	Nut, 5/15" USS
59	806-206	Housing, HUB PSG
60	1208-023	Latch, Hood, Assy
61	1604-093	Pin, Hood Latch
62	804-076	Hood, PSG-48
	804-077	Hood, PSG-60
	804-078	Hood, PSG-76
63	214-329	Bracket, Lift PSG-48 & PSG-60
	214-328	Bracket, Lift PSG-76
64	1401-030	Nut, 3/4" USS
65	603-007	Fitting, Grease 90° metric

165-A