

YAZOO

**PSR-76/76-1
CUTTING
SECTION
OWNER'S
MANUAL**

SAFETY SUMMARY

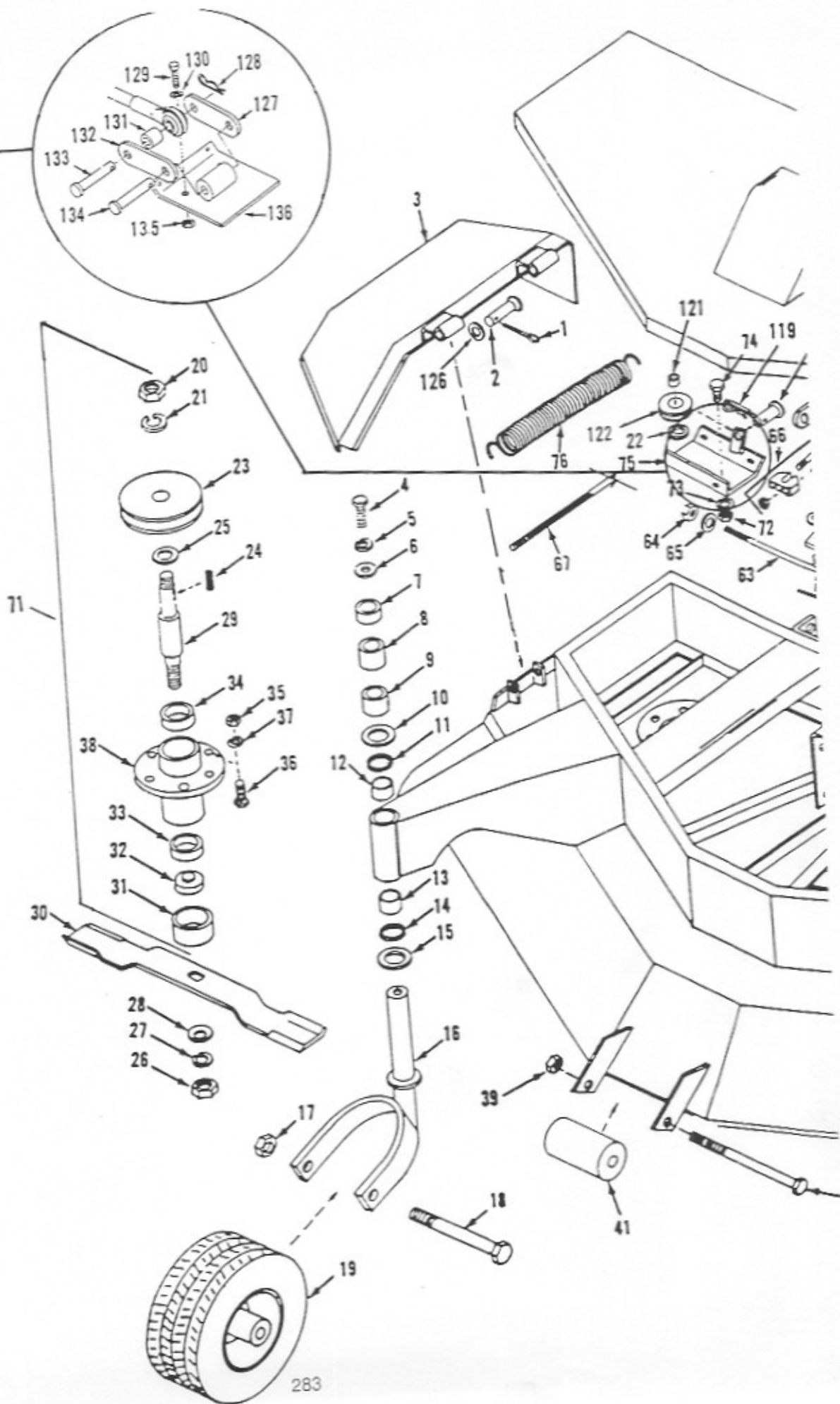
ASSEMBLY

HEIGHT ADJUSTMENT

ILLUSTRATED PARTS LIST

LITERATURE NUMBER 1301-103

RAULIC TRANSMISSION
UNITS ONLY



PSR-76/76-1 CUTTING SECTION
OWNER'S MANUAL

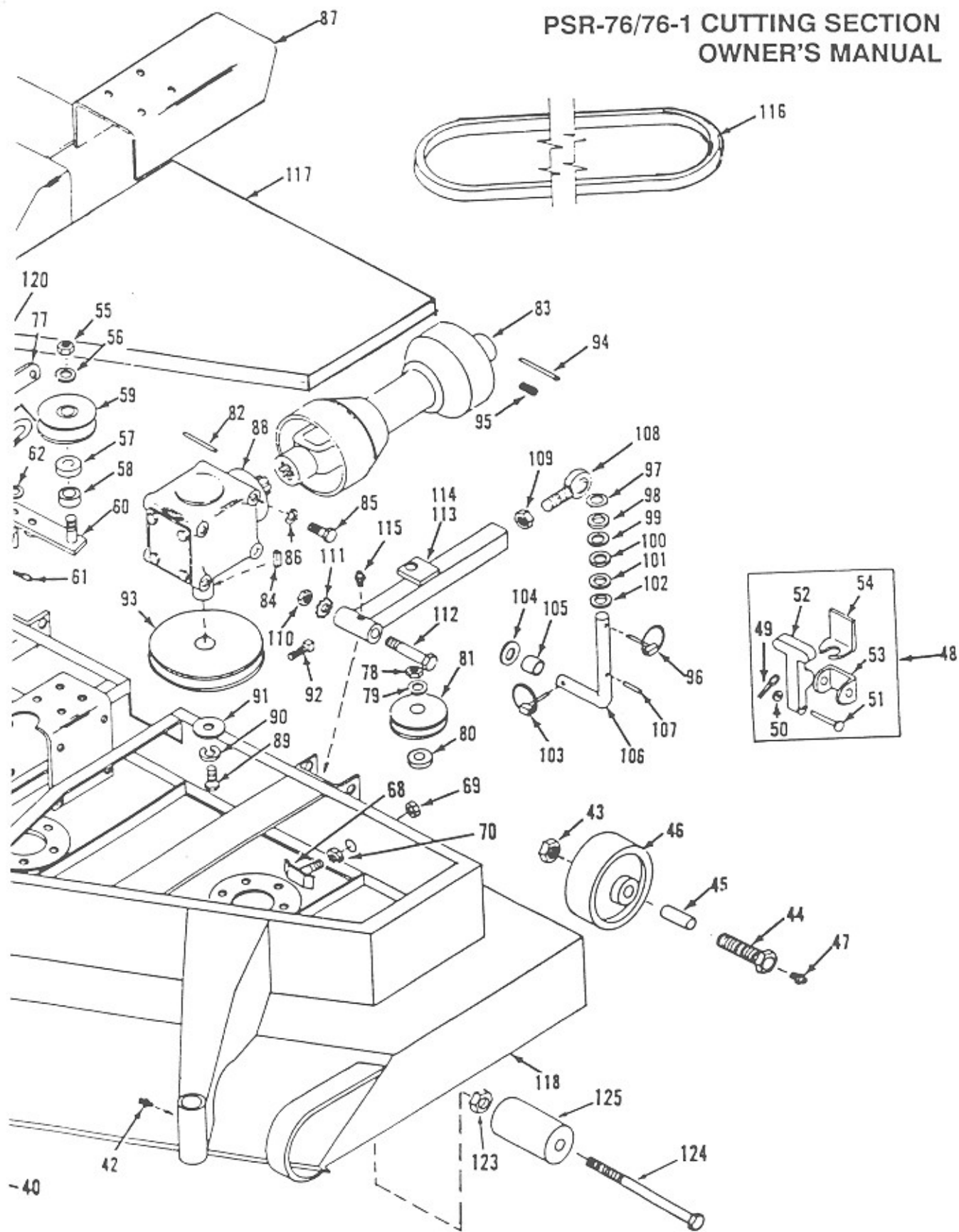


FIGURE 1. PSR76/76-1 CUTTING SECTION, EXPLODED VIEW

ILLUSTRATED PARTS LIST

This illustrated parts listing is for the **YAZOO PSR-76/76-1 CUTTING SECTION** manufactured by YAZOO MANUFACTURING COMPANY, P.O. BOX 4449, 3650 Bay Street, Jackson, MS 39216.

The purpose of this chapter is to provide a listing, with illustrations, of the parts that comprise, and are necessary for the support of, the **PSR-76/76-1 CUTTING SECTION**. The parts are assigned to the Figure in the parts listing. For example, item (KEY) number 16 in Figure 1 will be listed as "16" under the "KEY" column along with the part number, name, and quantity(ies) of that item used in that application. Specifically, it is part number 2501-040, "YOKE, FRONT WHEEL", in a quantity of 2.

KEY	PART NO.	DESCRIPTION	QTY
1	1604-002	PIN, COTTER 3/32"	2
2	1604-043	PIN, CLEVIS	2
3	0306-029	CHUTE, DISCHARGE RH	1
4	0209-108	BOLT, 5/16" X 3/4" NC	2
5	2301-004	WASHER, LOCK 5/16"	2
6	2301-102	WASHER, FLAT	2
7	1913-121	SPACER, DECK ADJUSTING	2
8	1913-120	SPACER, DECK ADJUSTING	2
9	1913-120	SPACER, DECK ADJUSTING	2
10	2301-098	WASHER, FLAT 1"	2
11	1806-002	O-RING	2
12	0215-122	BUSHING, FRONT WHEEL ASSEMBLY	2
13	0215-122	BUSHING, FRONT WHEEL ASSEMBLY	2
14	1806-002	O-RING	2
15	2301-098	WASHER, FLAT 1"	2
16	2501-040	YOKE, FRONT WHEEL	2
17	1401-072	NUT, LOCK 5/8" NF	2
18	0209-168	BOLT, 1/2" X 6 1/2" NF GRADE 5	2
19	2305-059	WHEEL, FRONT	2
20	1401-070	NUT, JAM 5/8" NF	3
21	2301-010	WASHER, LOCK 5/8"	3
22	1913-040	SPACER, 5/8" X 7/8"	1
23	1608-144	PULLEY, HUB, PSR-76	3
23A	1608-398	PULLEY, HUB, PSR-76-1	3
24	1102-001	KEY, 3/16" X 3/16"	3
25	1913-220	SPACER	3
26	1401-071	NUT, FULL 5/8" NF	3

**PSR-76/76-1 CUTTING SECTION
OWNER'S MANUAL**

KEY	PART NO.	DESCRIPTION	QTY
27	2301-010	WASHER, LOCK 5/8"	3
28	2301-096	WASHER, CONCAVE	3
29	1904-266	SHAFT, HUB RH THREAD, PSR-76	3
29A	1904-282	SHAFT, HUB RH THREAD, PSR-76-1	3
30	0206-626	BLADE	3
31	1906-021	SHIELD, HUB	3
32	0101-002	ADAPTOR, BLADE	3
33	0204-060	BEARING, HUB 3/4" ID	3
34	0204-060	BEARING, HUB 3/4" ID	3
35	1401-020	NUT, 5/16" NC	18
36	0209-108	BOLT, 5/16" X 3/4" NC	18
37	2301-004	WASHER, LOCK 5/16"	18
38	0806-206	HOUSING, HUB	3
39	1401-051	NUT, LOCK 1/2" NF	1
40	0209-560	BOLT, 1/2" X 7"	1
41	1809-003	ROLLER, RUBBER	1
42	0603-004	FITTING, GREASE	2
43	1401-072	NUT, LOCK 5/8" NF	2
44	0103-095	AXLE WITH GREASE FITTING	2
45	0215-025	BUSHING, 5/8" ID X 2 1/2"	2
46	2302-004	WHEEL, REAR	2
47	0603-004	FITTING, GREASE	2
48	1208-023	LATCH, RUBBER ASSEMBLY	6
49	1604-144	PIN, COTTER	6
50	2301-298	WASHER, HOOD LATCH	6
51	1604-143	PIN, HOOD LATCH	6
52	1208-023-001	LATCH, RUBBER	6
53	0214-333	BRACKET, HOOD ANCHOR	3
54	0214-332	BRACKET, HOOD LATCH	3
55	1401-072	NUT, 5/8" NF	1
56	1913-040	SPACER	1
57	0204-019	BEARING, CABLE ROLLER	1
58	1913-232	SPACER, IDLER PULLEY	1
59	1608-009	PULLEY, IDLER	1
60	0102-108	ARM, CUTTING SECTION IDLER	1
61	1604-002	PIN, COTTER 3/32"	1
62	2301-021	WASHER, FLAT 5/16"	1
63	1808-271	ROD, IDLER TENSION	1
64	1401-021	NUT, 5/16" NC	1
65	2301-021	WASHER, FLAT 5/16"	1
66	0307-002	CLAMP, CABLE ASSY (MAN. ONLY)	1
67	0301-106	CABLE, DECK LIFT (MAN. C/S ONLY)	1
68	0705-049	GUIDE, BELT	1
69	1401-021	NUT, 5/16" NC	1
70	1401-020	NUT, 5/16"	1
71	0808-168	ASSEMBLY, HUB, PSR-76	3
71A	0808-174	ASSEMBLY, HUB, PSR-76-1	3

PSR-76/76-1 CUTTING SECTION
OWNER'S MANUAL

KEY	PART NO.	DESCRIPTION	QTY
72	1401-030	NUT, 3/8" NC	2
73	2301-006	WASHER, LOCK 3/8"	2
74	0209-314	BOLT, 3/8" X 1" NC	2
75	0214-419	BRACKET, CUTTING SECTION LIFT	1
76	1916-051	SPRING, CUTTING SECTION LIFT	2
77	0214-425	BRACKET, SPRING EXT. (HYD.)	2
77A	0214-441	BRACKET, SPRING EXT. (MANUAL)	2
78	1401-072	NUT, JAM 5/8" NF	1
79	1913-040	SPACER	1
80	0204-019	BEARING, CABLE ROLLER	1
81	1608-009	PULLEY, IDLER	1
82	1604-154	PIN, ROLL 5/16"	1
83	1904-190	SHAFT, PTO DRIVE	1
84	1102-002	KEY, 1/4" X 1/4" X 1"	1
85	0209-314	BOLT, 3/8" X 1" NC	4
86	2301-006	WASHER, LOCK 3/8"	4
87	0314-052	COVER, GEARBOX	1
88	0407-007	DRIVE, RIGHT ANGLE	1
89	0209-108	BOLT, 5/16" X 3/4" NC	1
90	2301-004	WASHER, LOCK 5/16"	1
91	2301-095	WASHER, 3/8" ID X 1 1/8" OD	1
92	1901-033	SCREW, SET 5/16" X 3/4"	1
93	1608-378	PULLEY, CENTER	1
94	1604-154	PIN, ROLL 5/16"	1
95	1901-017	SCREW, SET 3/8"	1
96	1604-055	PIN	2
97	2301-200	WASHER, WHEEL	2
98	1913-251	SPACER, DECK ADJUSTING	2
99	1913-251	SPACER, DECK ADJUSTING	2
100	1913-251	SPACER, DECK ADJUSTING	2
101	1913-251	SPACER, DECK ADJUSTING	2
102	1913-251	SPACER, DECK ADJUSTING	2
103	1604-055	PIN	2
104	2301-200	WASHER, WHEEL	2
105	1913-250	SPACER, CUTTING SECTION LIFT ROD	2
106	1808-260	ROD, DECK ADJUSTMENT	2
107	1604-015	PIN, ROLL 3/16" X 1 1/8"	2
108	0502-004	ROD, END	2
109	1401-070	NUT, JAM 5/8" NF	2
110	1401-070	NUT, JAM 5/8" NF	2
111	2301-011	WASHER, STAR LOCK 5/8"	2
112	0209-797	BOLT, 5/8" X 4 1/2"	2
113	0102-107	ARM, C/S PSR-76	1
114	0102-125	ARM, C/S PSR-76	1
115	0603-004	FITTING, GREASE	2
116	0205-522	BELT, DOUBLE ANGLE, PSR-76	1
116A	0205-533	BELT, DOUBLE ANGLE, PSR-76-1	1

PSR-76/76-1 CUTTING SECTION OWNER'S MANUAL

KEY	PART NO.	DESCRIPTION	QTY	KEY
117	0804-088	HOOD, PSR-76	1	75
118	0605-105	FRAME, CUTTING SECTION PSR-76	1	73
120	1604-107	PIN, CABLE ROLLER	2	74
121	0215-022	BUSHING, CABLE ROLLER	1	76
122	1809-001	ROLLER, CABLE	2	78
123	1401-051	NUT, LOCK	1	77
124	0209-556	BOLT, 1/2" X 6" NF GRADE 5	2	77A
125	1809-004	ROLLER, RUBBER	2	78
126	2301-020	WASHER, FLAT	2	79
127	0214-279	BRACKET	1	80
128	0309-030	CLIP, HAIRPIN	2	81
129	0209-314	BOLT, 3/8" X 1" NC	2	82
130	2301-006	WASHER, LOCK 3/8"	2	83
131	1913-232	SPACER	1	84
132	0214-279	BRACKET	1	85
133	1604-060	PIN	1	86
134	1604-060	PIN	1	87
135	1401-030	NUT, 3/8" USS	2	88
136	0214-424	BRACKET, C/S LIFT	1	89
		WASHER, LOCK 3/8"	2	90
		WASHER, 3/8" X 1" NF	2	91
		SCREW, SET 3/8" X 3/4"	1	92
		PULLEY, CENTER	1	93
		ROL, 3/8"	1	94
		SCREW, SET 3/8"	1	95
		PIN	1	96
		WASHER, WHEEL	1	97
		SPACER, DECK ADJUSTING	1	98
		SPACER, DECK ADJUSTING	1	99
		SPACER, DECK ADJUSTING	1	100
		SPACER, DECK ADJUSTING	1	101
		SPACER, DECK ADJUSTING	1	102
		PIN	1	103
		WASHER, WHEEL	1	104
		SPACER, CUTTING SECTION LIFT ROD	1	105
		ROL, DECK ADJUSTING	1	106
		PIN, 3/8" X 1"	1	107
		HOOD, END	1	108
		NUT, 3/8" NF	1	109
		NUT, 3/8" NF	1	110
		WASHER, STAR LOCK 3/8"	1	111
		BOLT, 3/8" X 1"	1	112
		ARM, C/S FOR 76	1	113
		ARM, C/S FOR 76	1	114
		FITTING, GREASE	1	115
		BELT, DOUBLE ANGLE PSR-76	1	116
		BELT, DOUBLE ANGLE PSR-76-1	1	117