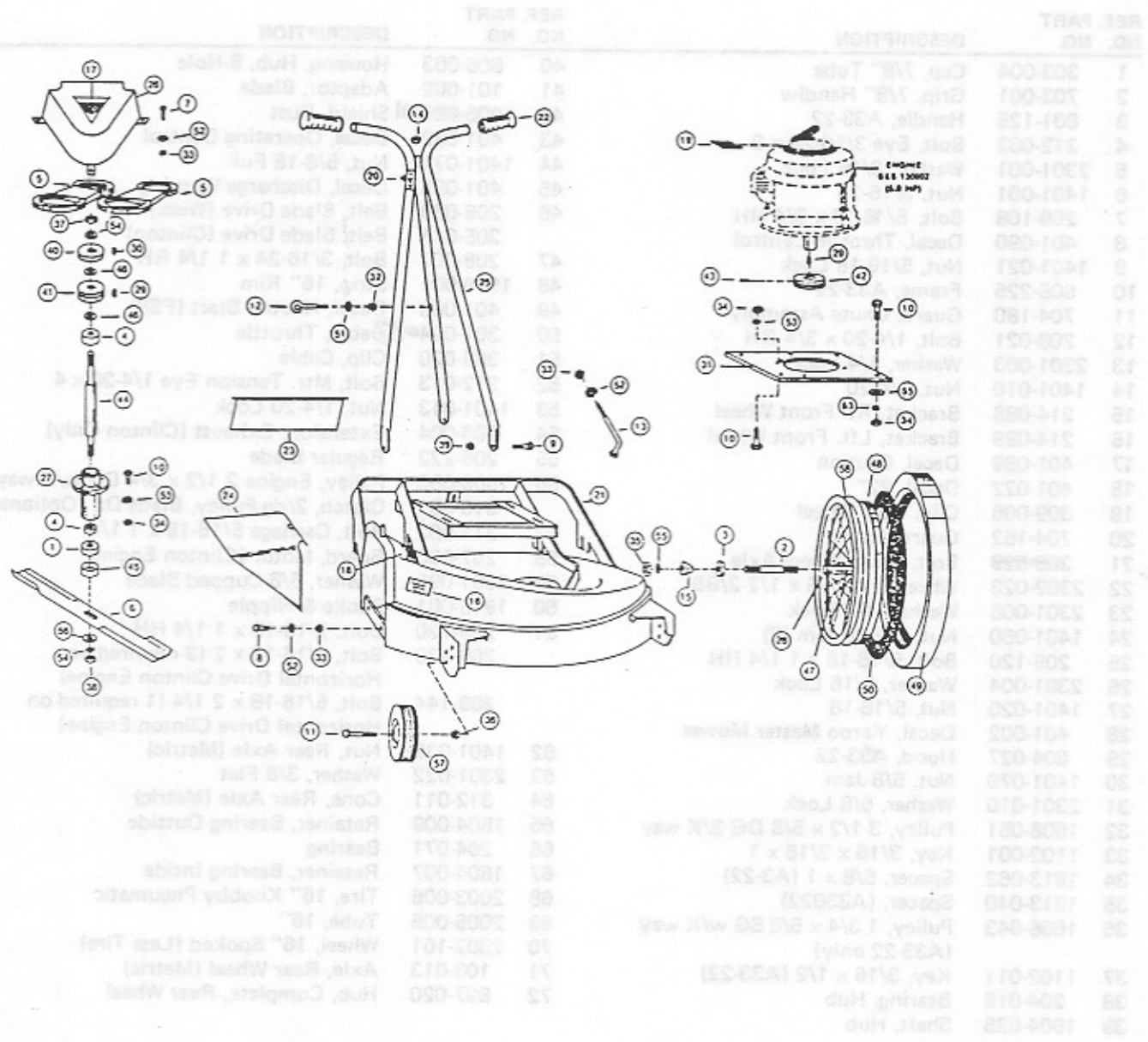


# AV-22-FSP



# AV-22-FSP

REF. PART NO. NO.	DESCRIPTION	REF. PART NO. NO.	DESCRIPTION		
1	101-002	Adaptor, Blade	30	1102-011	Key, 3/16 x 1/2
2	103-013	Axle, Rear Wheel	31	207-046	Motor Board
3	204-071	Bearing, Loose	32	1401-001	Nut, 3/16-24
4	204-019	Bearing, Regular Hub	33	1401-010	Nut, 1/4-20
5	205-041	Belt, Blade Drive	34	1401-020	Nut, 5/16-18
6	206-822	Blade, Hi-Lift Vacuum	35	1401-039	Nut, Rear Axle (Metric)
7	208-020	Bolt, 1/4-20 x 1/2 RH	36	1401-050	Nut, 1/2-20 Jam
8	208-021	Bolt, 1/4-20 x 3/4 RH	37	1401-070	Nut, 5/8-18 Jam
9	209-108	Bolt, 5/16-18 x 3/4 HH	38	1401-071	Nut, 5/8-18 Full
10	209-120	Bolt, 5/16-18 x 1 1/4 HH	39	1401-021	Nut, 5/16 Lock
103-102	<del>209-529</del>	Bolt, Axle 1/2-20 x 2 1/2	40	1608-043	Pulley, F.S.P.
12	212-003	Bolt, 3/16-24 x 2 Eye	41	1608-059	Pulley, Blade Drive
13	209-070	Bolt, Tension	42	1608-301	Pulley, Engine
14	303-004	Cap, Tube	43	1901-006	Screw, Set 5/16-18 x 1/4 AH
15	312-011	Cone, Rear Axle	44	1904-011	Shaft
3	401-005	Decal, Caution	45	1906- <del>000</del>	Shield, Dust
7	401-002	Decal, Yazoo Master Mower	46	1913-040	Spacer
18	401-086	Decal, Discharge Warning	47	1915-001	Spoke & Nipple
19	401-088	Decal, Neutral-Start Warning	48	1919-001	Strip, 16-in. Rim
20	401-089	Decal, Operating Control	49	2003-006	Tire, Pneu. 16 in. Knobby
21	605-227	Frame	50	2005-005	Tube, 16 in.
22	703-001	Grip, 7/8 in. Handle	51	2301-001	Washer, 3/16 Lock
23	704-116	Guard, Bottom	52	2301-003	Washer, 1/4 Lock
24	704-180	Guard, (Assembly) Chute	53	2301-004	Washer, 5/16 Lock
25	801-132	Handle	54	2301-010	Washer, 5/8 Lock
26	804-026	Hood	55	2301-022	Washer, 3/8 Flat
27	806-020	Hub	56	2301-096	Washer, 5/8 Cupped Lock
28	807-020	Hub Complete, Rear Wheel	57	2302-023	Wheel, 6 x 1.66 1/2 BB
29	1102-001	Key, 3/16 x 1 in.	58	2302-101	Wheel, 16 in. Spoked (Less Tire)