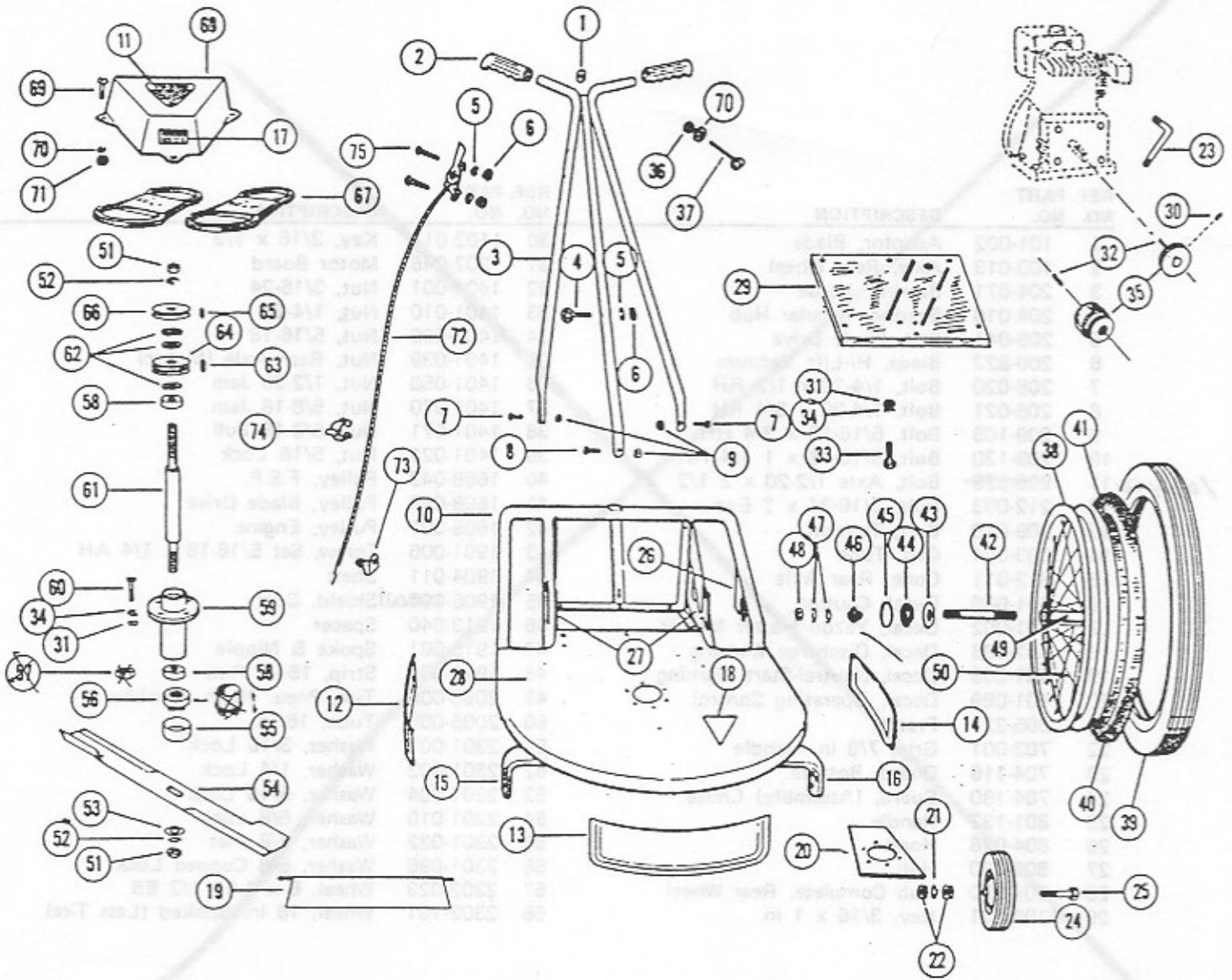


B3/B33



B3/B33

REF. PART NO.	PART NO.	DESCRIPTION	REF. PART NO.	PART NO.	DESCRIPTION
1	303-004	Cap, 7/8" Tube	212-014		Bolt, Eye 1/4-20 x 4 1/2 (Mtr. Adj.)
2	703-001	Grip, 7/8" Handle	38	2302-102	Wheel 20" Spoked Complete
3	801-140	Handle, Push Models	39	2003-010	Tire, 20" Pneu. Knobby Tread
	801-148	Handle, FSP Models		2003-008	Tire, 20" Zero Press St. Rib
4	212-003	Bolt, 3/17-24 x 2 Eye		2003-030	Tire, 20" Zero Pres. Cog Tread
5	2301-001	Washer, 3/16 Lock	40	2005-009	Tube, 20" Reg.
6	1401-001	Nut, 3/16-24	41	1919-002	Strip, 20" Rim
7	209-108	Bolt, 5/16-18 x 3/4 Handle	42	103-013	Axle, Rear Wheel (Metric)
8	209-108	Bolt, 5/16-18 x 3/4 Center Brace	43	1804-007	Retainer, Inside R. Whl. Brng.
9	1401-021	Nut, 5/16-18 Lock	44	204-071	Bearing
10	605-262	Frame B3 Clinton	45	1804-008	Retainer, Outside R. Shl. Brng.
	605-263	Frame B3 Briggs	46	312-011	Cone, Rear Axle (Metric)
	605-282	Frame B33		312-009	Cone, Rear Axle
11	401-022	Decal, Yazoo Master Mower	47	2301-022	Washer, 3/8 Flat R. Axle (4)
12	704-081	Guard Right (Weld)	48	1401-039	Nut, Rear Axle (Metric)
13	704-082	Guard Front (Weld)	49	807-021	Hub Ass'y. Comp., R. Wheel
14	704-083	Guard Left (Weld)	50	1915-002	Spoke & Nipple Ass'y. 120 Ga.
15	214-008	Bracket RT Front Wheel	51	1401-070	Nut, 5/8-18 Jam
16	214-009	Bracket Left Front Wheel		1401-071	Nut, 5/8-18 Full
17	401-005	Decal, Caution	52	2301-010	Washer, 5/8 Lock
18	401-023	Decal, Comm./Indust. 24" cut	53	2301-096	Washer, 5/8 Cupped Blade Lock
19	704-108	Guard Bottom B3-B33	54	206-224	Blade 24"
20	1605-005	Plate 6-Hole Hub B3-B33-B6	55	1906- 000 21	Shield Dust
21	2301-008	Washer, 1/2" Lock	56	101-002	Adaptor (Use w/1906- 000 21)
22	1401-050	Nut, 1/2-20 Jam (2)	57	1401-071	Nut, 5/8-18 Full (use w/101-001)
23	503-004	Extension, Muffler (Clinton)	58	204-019	Bearing, Hub (2)
24	2302-023	Wheel 6 x 1.66 B8	59	806-003	Hub, Housing/Hole B3-B33-B6
<i>103-102</i>	209-529	Bolt, Frt. Axle 1/2-20 x 2 1/2	60	209-126	Bolt 5/16-18 x 1 1/2
26	309-002	Clip, Rear Wheel	61	1904-007	Shaft Hub Reg. B3
27	601-006	Fenders (Set)		1904-025	Shaft Hub B33
28	1911-244	Skirt, B3, B33, B6	62	1913-040	Spacer (1 Push/3 FSP or as need)
29	207-040	Board, Motor (Clinton)	63	1102-001	Key 3/16 x 3/16 x 1
	207-042	Board, Motor (B & S)	64	1608-061	Pulley DG 2 1/2 x 5/8
30	1901-009	Set Screw 5/16-18 x 5/16 A. Hd.	65	1102-011	Key 3/16 x 3/16 x 1/2 B33-B66
31	1401-020	Nut, 5/16-18	66	1608-044	Pulley 2 x 5/8 Spl. SG B33
32	1102-002	Key, 1/4 x 1/4 x 1	67	205-144	Belt, Blade Dr.
33	209-126	Bolt, Eng. Mtng. 5/16-18 x 1 1/2		205-040	Belt, Blade Dr. B33/B3
	209-138	Bolt, 5/16-18 x 2 Eng. Mtng.	68	804-022	Hood, B3-B33-B6
	209-150	Bolt, 5/16-18 x 2 1/2 (B & S-3) B6	69	208-020	Bolt, 1/4-20 x 1/2 Hood (3)
	209-162	Bolt, 5/16-18 x 3 (Wisc. 4B & S01)	70	2301-003	Washer, 1/4" Lock
34	2301-004	Washer, 5/16 Lock	71	1401-010	Nut, 1/4-20
35	1608-083	Pulley, Eng. 2 1/2 x 3/4 DG	72	301-024	Cable, Throttle B3-B33
36	208-007	Bolt, 3/16-24 x 1 1/4	73	307-004	Clamp, Throttle to Eng.
37	1901-031	Screw, Set 3/8-16 x 2 (Mtr. Adj.)	74	309-020	Clip, Throttle Cable 7/8"
	212-013	Bolt, Eye 1/4-20 x 4 (Mtr. Adj.)	35	310- 001	Clutch (optional)