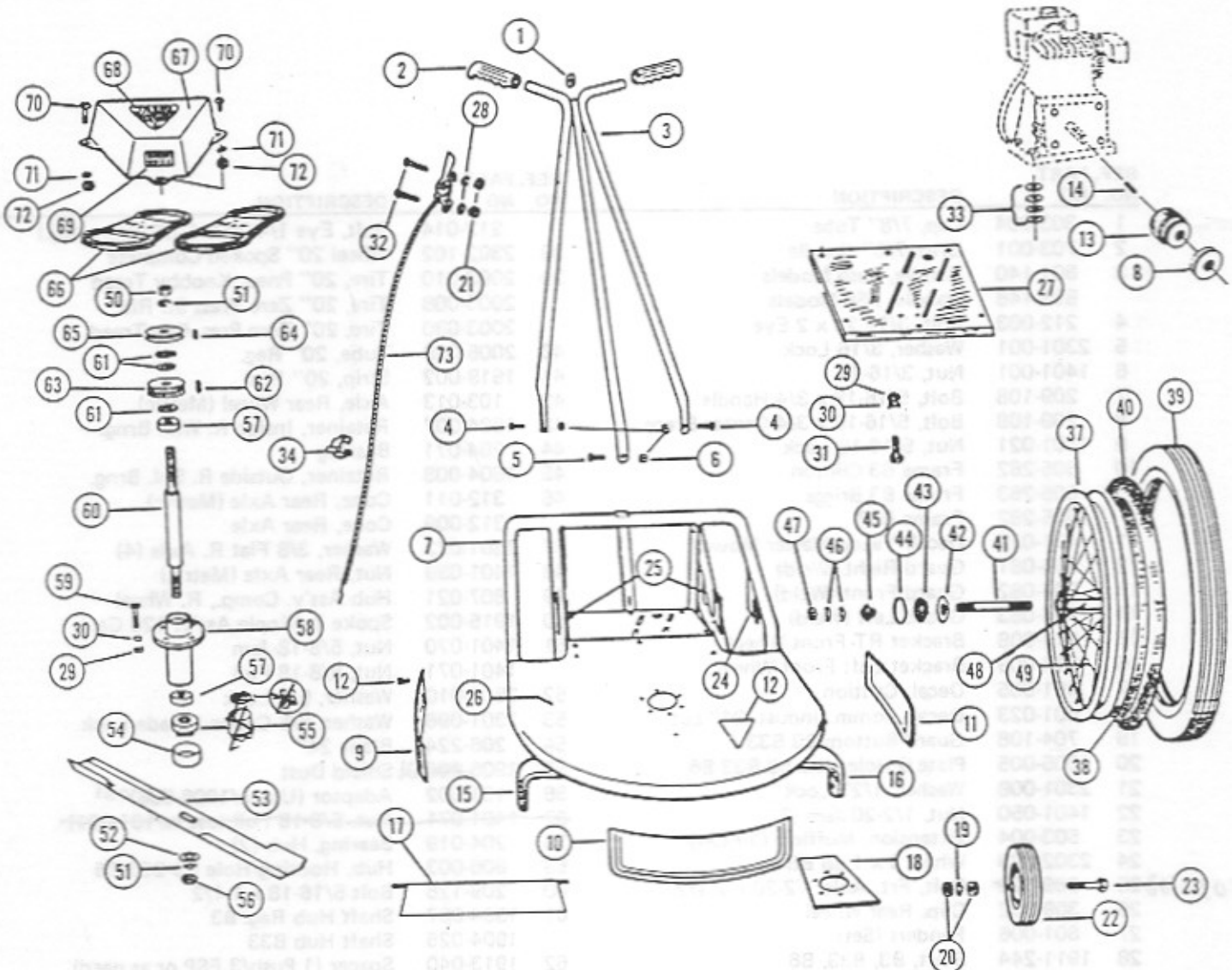


H66-26



1004-028	Shaft Hub B33	32	1807-008	Seal, 2 1/8" x 1 1/2" x 1/4"
1013-040	Spacer (1 Point) For 22 (as req'd)	33	1807-009	Seal, 2 1/8" x 1 1/2" x 1/4"
1103-001	Key 3/16 x 3/16 x 1/2	34	1807-010	Seal, 2 1/8" x 1 1/2" x 1/4"
1103-001	Key 3/16 x 3/16 x 1/2	35	1807-011	Seal, 2 1/8" x 1 1/2" x 1/4"
1103-001	Key 3/16 x 3/16 x 1/2	36	1807-012	Seal, 2 1/8" x 1 1/2" x 1/4"
1103-001	Key 3/16 x 3/16 x 1/2	37	1807-013	Seal, 2 1/8" x 1 1/2" x 1/4"
1103-001	Key 3/16 x 3/16 x 1/2	38	1807-014	Seal, 2 1/8" x 1 1/2" x 1/4"
1103-001	Key 3/16 x 3/16 x 1/2	39	1807-015	Seal, 2 1/8" x 1 1/2" x 1/4"
1103-001	Key 3/16 x 3/16 x 1/2	40	1807-016	Seal, 2 1/8" x 1 1/2" x 1/4"
1103-001	Key 3/16 x 3/16 x 1/2	41	1807-017	Seal, 2 1/8" x 1 1/2" x 1/4"
1103-001	Key 3/16 x 3/16 x 1/2	42	1807-018	Seal, 2 1/8" x 1 1/2" x 1/4"
1103-001	Key 3/16 x 3/16 x 1/2	43	1807-019	Seal, 2 1/8" x 1 1/2" x 1/4"
1103-001	Key 3/16 x 3/16 x 1/2	44	1807-020	Seal, 2 1/8" x 1 1/2" x 1/4"
1103-001	Key 3/16 x 3/16 x 1/2	45	1807-021	Seal, 2 1/8" x 1 1/2" x 1/4"
1103-001	Key 3/16 x 3/16 x 1/2	46	1807-022	Seal, 2 1/8" x 1 1/2" x 1/4"
1103-001	Key 3/16 x 3/16 x 1/2	47	1807-023	Seal, 2 1/8" x 1 1/2" x 1/4"
1103-001	Key 3/16 x 3/16 x 1/2	48	1807-024	Seal, 2 1/8" x 1 1/2" x 1/4"
1103-001	Key 3/16 x 3/16 x 1/2	49	1807-025	Seal, 2 1/8" x 1 1/2" x 1/4"
1103-001	Key 3/16 x 3/16 x 1/2	50	1807-026	Seal, 2 1/8" x 1 1/2" x 1/4"
1103-001	Key 3/16 x 3/16 x 1/2	51	1807-027	Seal, 2 1/8" x 1 1/2" x 1/4"
1103-001	Key 3/16 x 3/16 x 1/2	52	1807-028	Seal, 2 1/8" x 1 1/2" x 1/4"
1103-001	Key 3/16 x 3/16 x 1/2	53	1807-029	Seal, 2 1/8" x 1 1/2" x 1/4"
1103-001	Key 3/16 x 3/16 x 1/2	54	1807-030	Seal, 2 1/8" x 1 1/2" x 1/4"
1103-001	Key 3/16 x 3/16 x 1/2	55	1807-031	Seal, 2 1/8" x 1 1/2" x 1/4"
1103-001	Key 3/16 x 3/16 x 1/2	56	1807-032	Seal, 2 1/8" x 1 1/2" x 1/4"
1103-001	Key 3/16 x 3/16 x 1/2	57	1807-033	Seal, 2 1/8" x 1 1/2" x 1/4"
1103-001	Key 3/16 x 3/16 x 1/2	58	1807-034	Seal, 2 1/8" x 1 1/2" x 1/4"
1103-001	Key 3/16 x 3/16 x 1/2	59	1807-035	Seal, 2 1/8" x 1 1/2" x 1/4"
1103-001	Key 3/16 x 3/16 x 1/2	60	1807-036	Seal, 2 1/8" x 1 1/2" x 1/4"
1103-001	Key 3/16 x 3/16 x 1/2	61	1807-037	Seal, 2 1/8" x 1 1/2" x 1/4"
1103-001	Key 3/16 x 3/16 x 1/2	62	1807-038	Seal, 2 1/8" x 1 1/2" x 1/4"
1103-001	Key 3/16 x 3/16 x 1/2	63	1807-039	Seal, 2 1/8" x 1 1/2" x 1/4"
1103-001	Key 3/16 x 3/16 x 1/2	64	1807-040	Seal, 2 1/8" x 1 1/2" x 1/4"
1103-001	Key 3/16 x 3/16 x 1/2	65	1807-041	Seal, 2 1/8" x 1 1/2" x 1/4"
1103-001	Key 3/16 x 3/16 x 1/2	66	1807-042	Seal, 2 1/8" x 1 1/2" x 1/4"
1103-001	Key 3/16 x 3/16 x 1/2	67	1807-043	Seal, 2 1/8" x 1 1/2" x 1/4"
1103-001	Key 3/16 x 3/16 x 1/2	68	1807-044	Seal, 2 1/8" x 1 1/2" x 1/4"
1103-001	Key 3/16 x 3/16 x 1/2	69	1807-045	Seal, 2 1/8" x 1 1/2" x 1/4"
1103-001	Key 3/16 x 3/16 x 1/2	70	1807-046	Seal, 2 1/8" x 1 1/2" x 1/4"
1103-001	Key 3/16 x 3/16 x 1/2	71	1807-047	Seal, 2 1/8" x 1 1/2" x 1/4"
1103-001	Key 3/16 x 3/16 x 1/2	72	1807-048	Seal, 2 1/8" x 1 1/2" x 1/4"

H66-26

REF. PART NO.	PART NO.	DESCRIPTION	REF. PART NO.	PART NO.	DESCRIPTION
1	303-005	Cap, Tubing 1"	38	1919-002	Strip, Rim 29"
2	703-002	Grip, 1" Handle	39	2003-010	Tire 20" Pneu. Knobby Tread
3	801-183	Handle Ass'y.		2003-030	Tire, 20" Solid Cog
4	209-101	Bolt, 5/16-18 x 1 HH	40	2005-009	Tube 20" Regular
5	209-108	Bolt, 5/16-18 x 3/4 HH	41	103-013	Axle, Rear Wheel, Metric
6	1401-021	Nut, 5/16-18 Lock	42	1804-007	Inner Race
7	605-326	Frame Wisconsin	43	204-071	Bearing, Rear Wheel
8	1608-123 ³²	Pulley, 3 x 1" D.G. (Eng. Ey-25)	44	1804-008	Outer Race
9	704-091	Guard R. S. (Weld)	45	312-011	Metric Wheel Axle H.D.
10	704-092	Guard Front (Weld)	46	2301-022	Washer, 3/8 Flat
11	704-093	Guard, L.S. (Weld)	47	1401-039	Metric Nut, 3/8 Rear Axle
12	401-026	Decal, 26" Cut	48	807-021	Hub Ass'y. Comp. Rear Wheel
13	310-003	Clutch & Pulley Comp. 1" Shaft	49	1915-002	Spoke & Nipple 20"
14	1102-020	Key, 3/16 x 3/16 x 3/4	50	1401-070	Nut, 5/8-18 Jam
15	214-008	Bracket, Rt. Front Wheel	51	2301-010	Washer, 5/8 Lock
16	214-009	Bracket, L. Front Wheel	52	2301-096	Washer 5/8 Cupped Blade Lock
17	704-109	Guard, Bottom Rear	53	206-226	Blade 26"
18	1605-009	Plate, Hub Mtng. 4-Hole	54	1906-000	Shield, Dust
19	2301-008	Washer, 1/2" Lock	55	101-002	Adaptor, Blade
20	1401-050	Nut, 1/2-20 Jam (2)	56	1401-071	Nut, 5/8-18 Flat
21	1401-001	Nut, 3/16-24	57	204-019	Bearing, Hub
22	2302-023	Wheel, 6 x 1.66 x 1/2 BB	58	806-003	Housing, Hub
23	¹⁰³⁻¹⁰² 209-520	Bolt, Fr. Axle 1/2-20 x 2 1/2 Pl.		808-113	Housing, Ass'y. w/pulley
24	309-002	Clip, Rear Wheel	59	209-126	Bolt, 5/16-18 x 1 1/2 HH
25	601-008	Fender, Set Complete	60	1904-025	Shaft Blade
26	1911-281	Skirt	61	1913-040	Spacer
27	207-060	Board, Motor Mtng. (Wisc.)	62	1102-001	Key, 3/16 x 3/16 x 1
28	2301-001	Washer, 3/16 Lock	63	1608-061	Pulley, 3 1/2 x 5/8 KW DG
29	1401-020	Nut, 5/16-18	64	1102-011	Key, 3/16 x 3/16 x 1/2
30	2301-004	Washer, 5/16 Lock	65	1608-044	Pulley, 2 x 5/8 SG KW
31	209-126	Bolt, 5/16-18 x 1 1/2 HH	66	205-144	Belt, Blade Drive (Wisc. EY25)
32	208-007	Bolt, 3/16-24 1 1/4 RH	67	804-022	Hood
33	2301-024	Washers, 1/2 Flat	68	401-002	Decal, Yazoo Master Mower
34	309-020	Clip, Cable	69	401-005	Decal, Caution
35	212-014	Bolt, Mtr: Adj. 1/4-20 x 4 1/2 Eye	70	208-020	Bolt, 1/4-20 x 1/2 (3)
36	1401-010	Nut, 1/4-20		208-021	Bolt, 1/4-20 x 3/4 Rt. Side (1)
	1401-030	Nut, 3/8-16	71	2301-003	Washer, 1/4" Lock
37	2302-102	Wheel, 20" Spoked	72	1401-010	Nut, 1/4-20
			73	301-026 ⁰⁸²	Cable, Throttle Control
			13	310-003	Clutch (Optional)