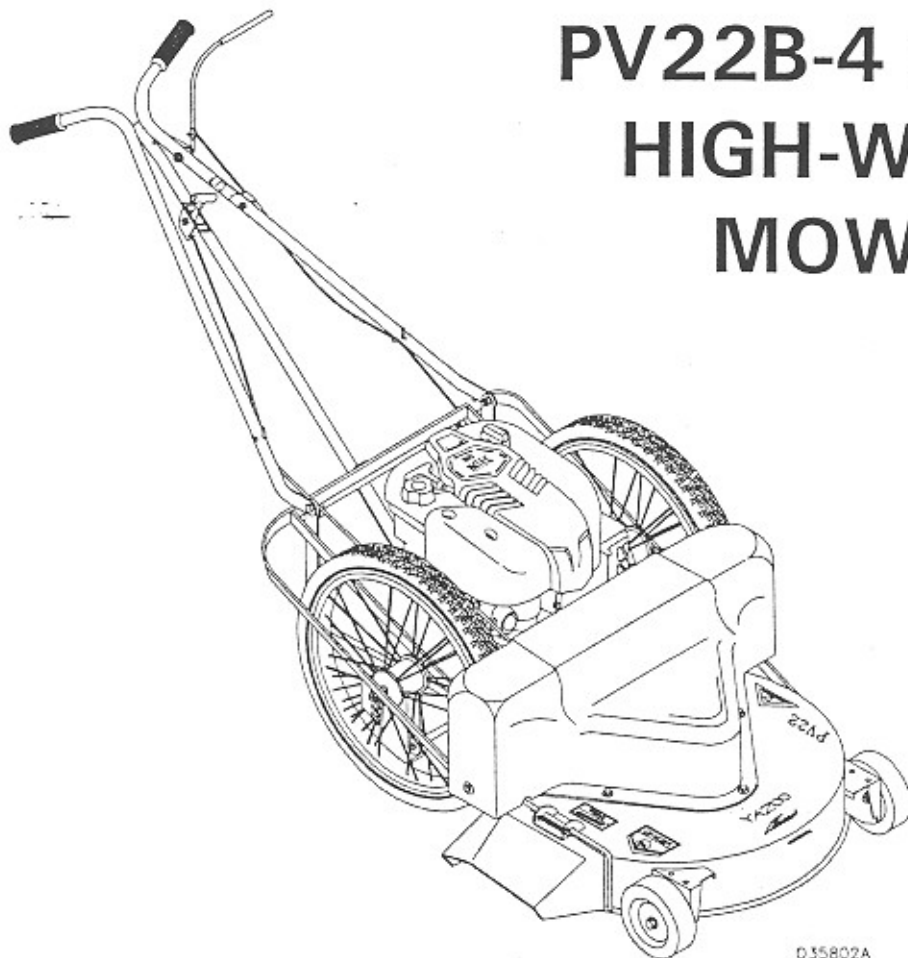




YAZOO

Parts Manual for

PV22B-4 SERIES HIGH-WHEEL MOWER

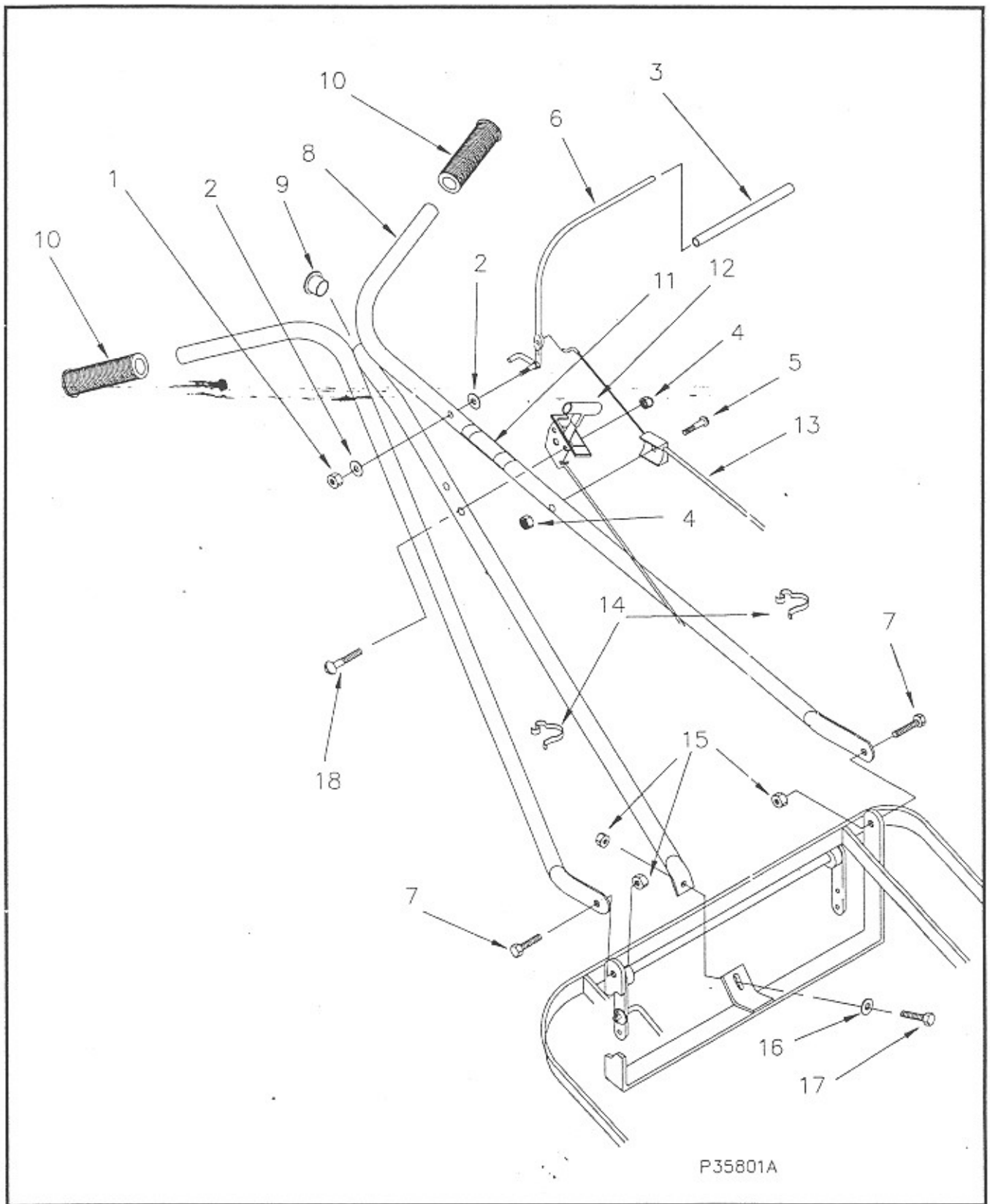


035802A

**Professional Quality Lawn Care Equipment
since 1945**

Yazoo/Kees Power Equipment policy is to improve its products whenever it is possible and practical to do so. In an effort to keep pace with changes in technology, Yazoo/Kees reserves the right to make changes or improvements at any time without incurring any obligation to make such changes on products previously manufactured.

HANDLE ASSEMBLY



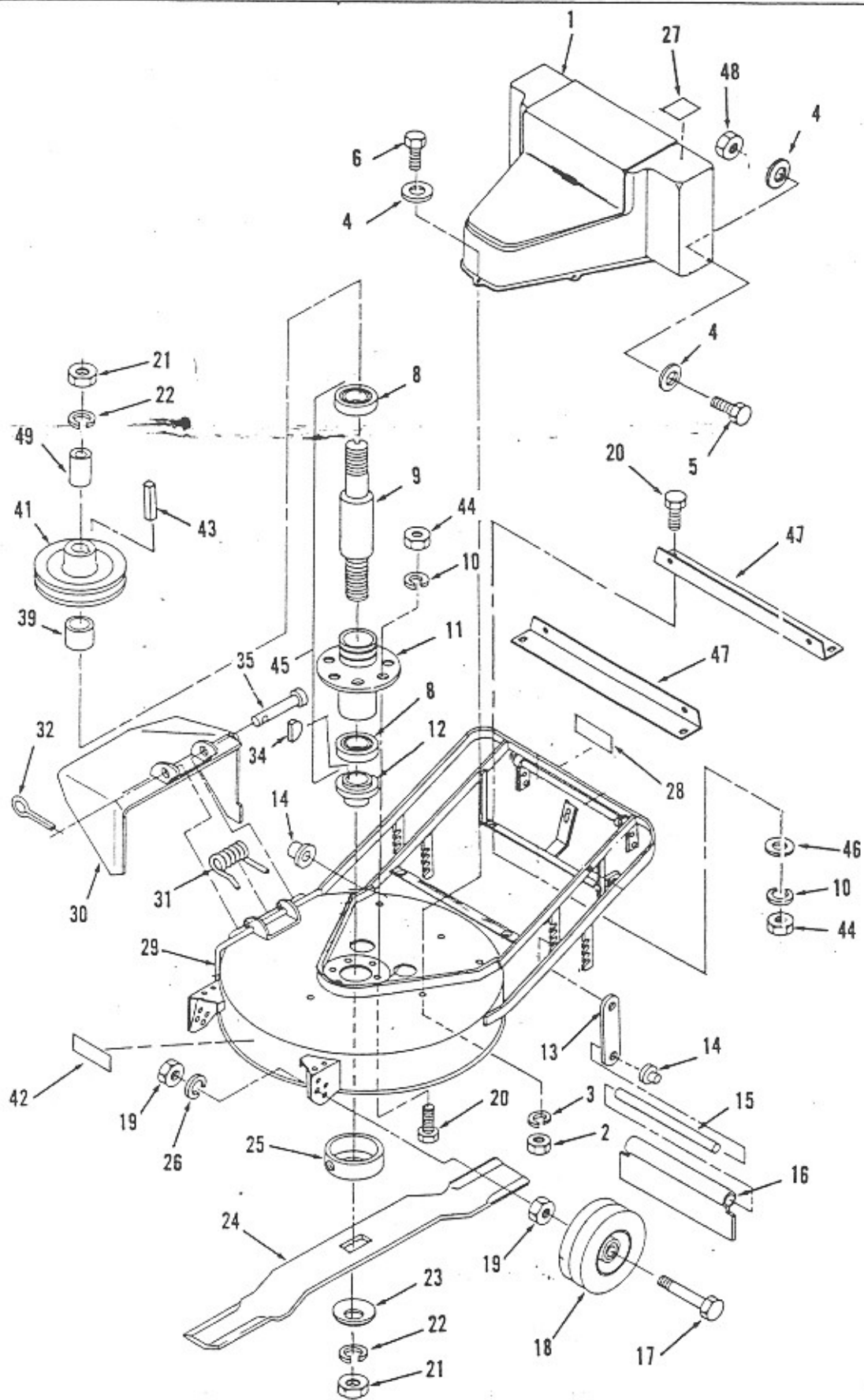
P35801A

HANDLE ASSEMBLY

ITEM	PART NO.	DESCRIPTION	ITEM	PART NO.	DESCRIPTION
1	1401-009	Nut, 1/4 Center Lock	17	0209-114	HHCS, 5/16 x 1"G5
2	2301-020	Washer, 1/4 Flat (2)	18	0208-007	RHS, 10-24 x 1-1/4 (2)
3	0703-037	Grip, 3/8			
4	1401-196	Nut, 10-24 Nyloc (3)			
5	0208-034	RHS, 10-24 x 1-1/2			
6	1201-131	Bail, Blade Engaging			
7	0209-108	Bolt, 5/16C x 3/4 G5 (2)			
8	0801-571	Handle Assy. W/ Decals			
9	0303-004	Cap, Tube 7/8			
10	0703-039	Grip, Handle Ribbed (2)			
11	0401-395	Decal, Blade Brake			
12	0301-183	Cable, Throttle Control			
13	0301-180	Cable, Engine Brake			
14	0309-020	Clip (2)			
15	1401-021	Nut, 5/16C Cenloc (3)			
16	2301-021	Washer, 5/16 Flat			

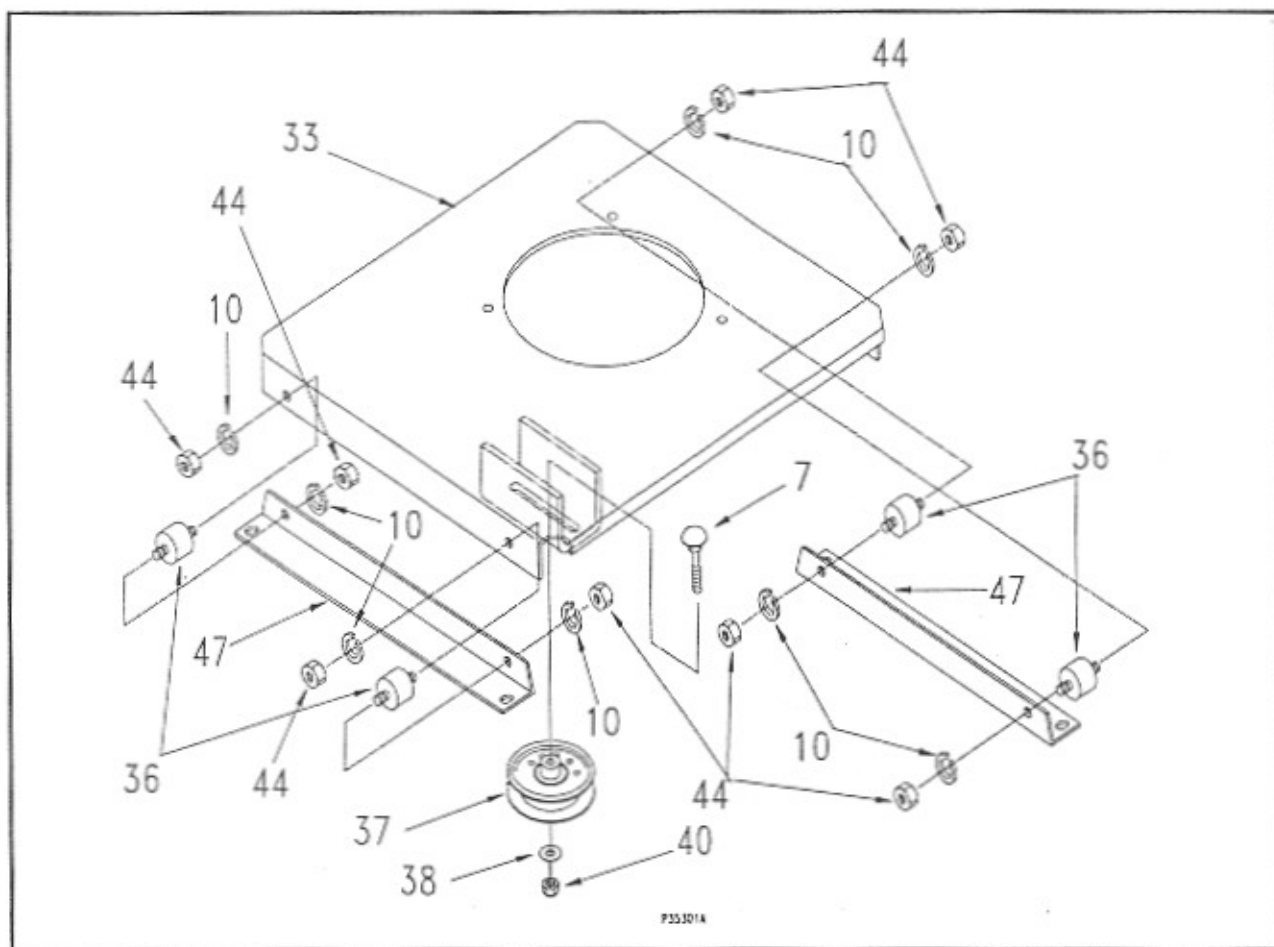
Notes

MOWER DECK ASSEMBLY

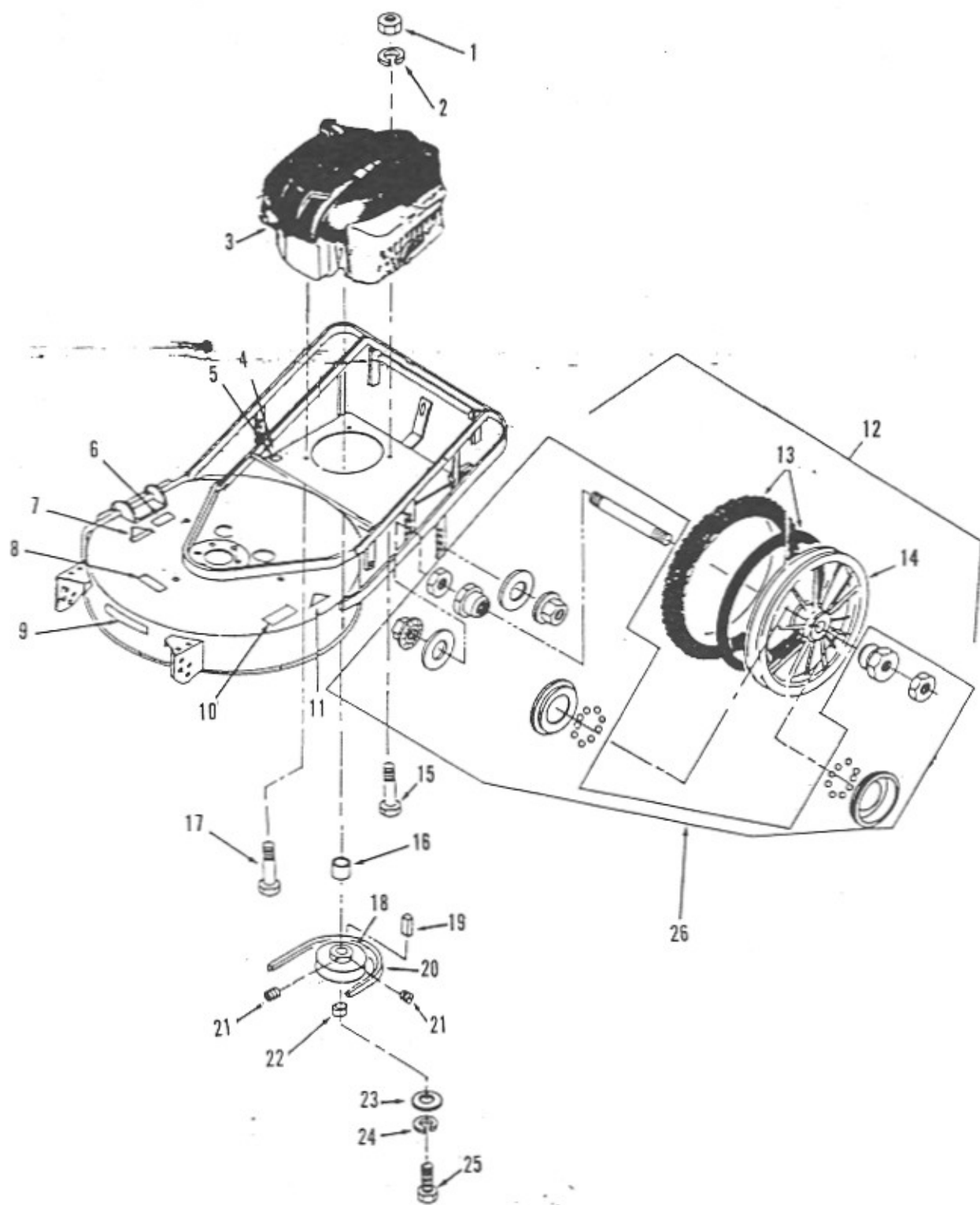


MOWER DECK ASSEMBLY

ITEM	PART NO.	DESCRIPTION	ITEM	PART NO.	DESCRIPTION
1	0804-032	Hood	26	2301-008	Washer, 1/2 Lock (2)
2	1401-010	Nut, 1/4C Hex (3)	27	0401-464	Decal, Warning
3	2301-003	Washer, 1/4 Lock (3)	28	0401-399	Decal, Stabilize
4	2301-020	Washer, 1/4 Flat (7)	29	0605-517	Frame, W/ Decals
5	0209-049	HHCS, 1/4 x 1 (2)	30	0306-013	Guard, Chute
6	0209-021	HHCS, .250C x.75 G5 (3)	31	1916-036	Spring, Chute
7	0209-328	Bolt, 3/8 x 2-1/4 Carriage	32	1604-086	Pin, Cotter 3/32 x 1/2
8	0204-060	Bearing, Hub(2)	33	1605-050	Plate, Engine Mt.
9	1904-295	Shaft, Hub	34	1102-013	Key, Woodruff
10	2301-004	Washer, 5/16 Lock (18)	35	1604-043	Pin, Clevis
11	0806-366	Housing, Hub	36	1811-034	Isolator, Eng. Mt. (4)
12	0101-163	Adapter, Blade	37	1608-169	Pulley, Idler
13	1918-008	Strap, Drag Flap Hngr. (2)	38	2301-022	Washer, 3/8 Flat
14	0303-021	Cap, Drag Flap (2)	39	1913-078	Spacer, Pulley
15	1808-177	Rod, Drag Flap	40	1401-139	Nut, 3/8 C Nyloc
16	0609-012	Flap, Drag	41	1608-163	Pulley, Spindle
17	0209-528	HHCS, .50F x 2.50 G5 (2)	42	0401-463	Decal, Commercial
18	2302-135	Wheel, Front White (2)	43	1102-001	Key, Sq. .188 x 1.00
19	1401-050	Nut, 1/2F Hex Jam (4)	44	1401-020	Nut, 5/16C (18)
20	0209-114	HHCS, .312C x 1 G5 (10)	45	0808-029	Hub, Assembly
21	1401-071	Nut, 5/8F Hex (2)	46	2301-021	Washer, 5/16 flat (4)
22	2301-010	Washer, 5/8 Lock (2)	47	0214-502	Brk't, Eng. Mt. (2)
23	2301-096	Washer, Cup 5/8 Spg.	48	1401-009	Nut, 1/4 C Cenlc (2)
24	0206-622	Blade, 22"	49	1913-335	Spacer, Pulley .760 ID x 1-3/8
25	1906-021	Shield, Hub			



DRIVE & HEIGHT ADJUSTMENT ASSEMBLY



DRIVE & HEIGHT ADJUSTMENT ASSEMBLY

ITEM	PART NO.	DESCRIPTION
1	1401-020	Nut, 5/16 Hex (5)
2	2301-004	Washer, 5/16 Lock (7)
3	E300	Engine, 6 HP B & S Intek
4	0401-406	Decal, Clear
5	0401-404	Decal, Serial Plate
6	0401-110	Decal, Chute Warning
7	0401-111	Decal, Danger Cut
8	0401-459	Decal, Yazoo Classic
9	0401-463	Decal, Commercial
10	0401-465	Decal, PV22"
11	0401-220	Decal, OPEI Safety
12	2305-003	Wheel, Spoke 16" Assy. (2)

ITEM	PART NO.	DESCRIPTION
13	2003-006	Tire/Tube, 16" Knob (2)
13A	2003-026	Tire, Solid Optional
14	2302-101	Wheel, Mag 16" (2)
15	0209-150	HHCS, 5/16 C x 2-1/2
16	1913-330	Spacer, Engine
17	0209-120	HHCS, 5/16 C x 1-1/4 (2)
18	1608-435	Pulley, Eng
19	1102-001	Key, 3/16 x 3/16 x 1
20	0205-554	Belt, Blade
21	1901-009	SHSS, .312C x .31 (2)
22	1913-334	Spacer, Engine
23	2301-054	Washer, 3/8 x 1-1/2
24	2301-006	Washer, 3/8 Lock
25	0209-318	HHCS, 3/8-24 x 1
26	1105-013	Kit, Repair Spoke. Wheel

Notes
