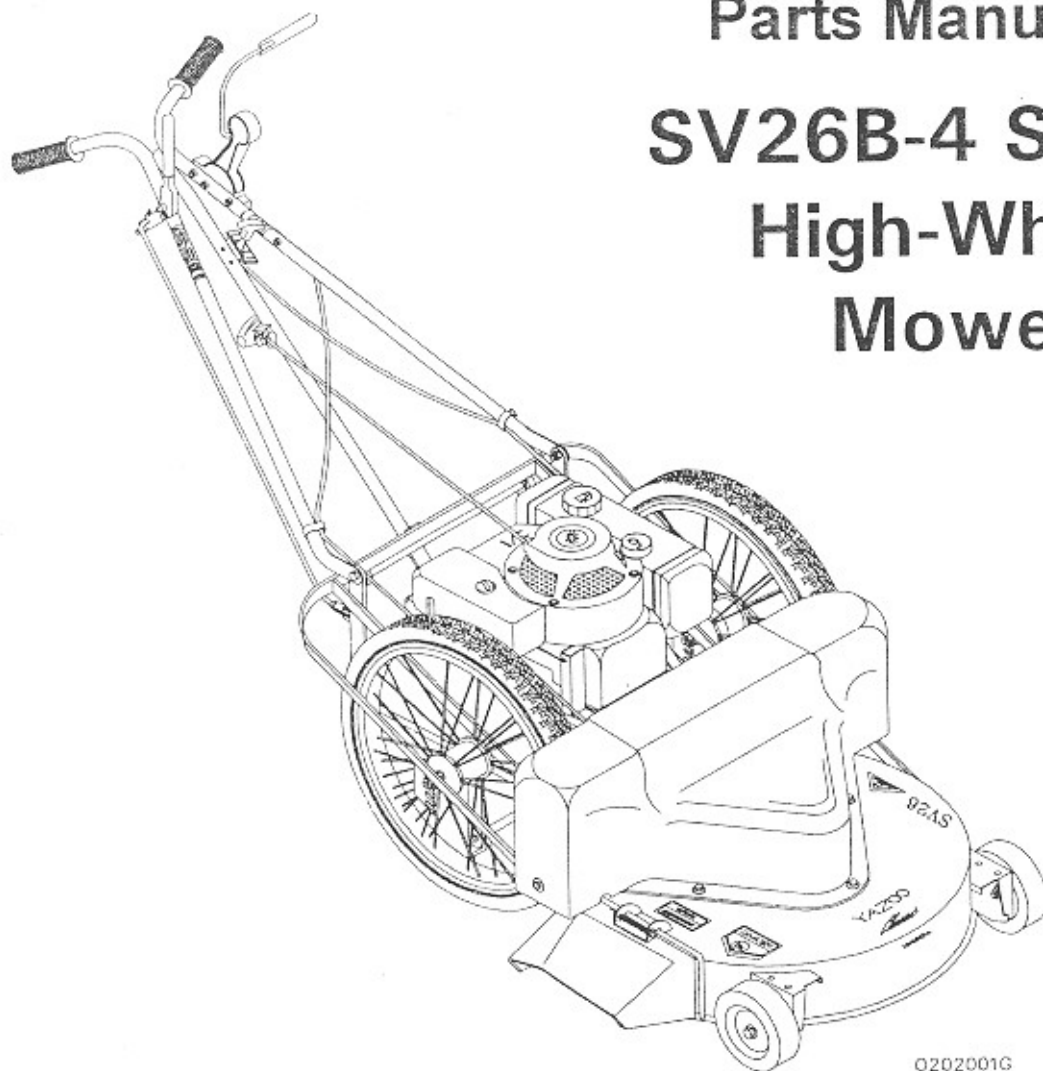


YAZOO/KEES

Parts Manual for SV26B-4 SERIES High-Wheel Mower

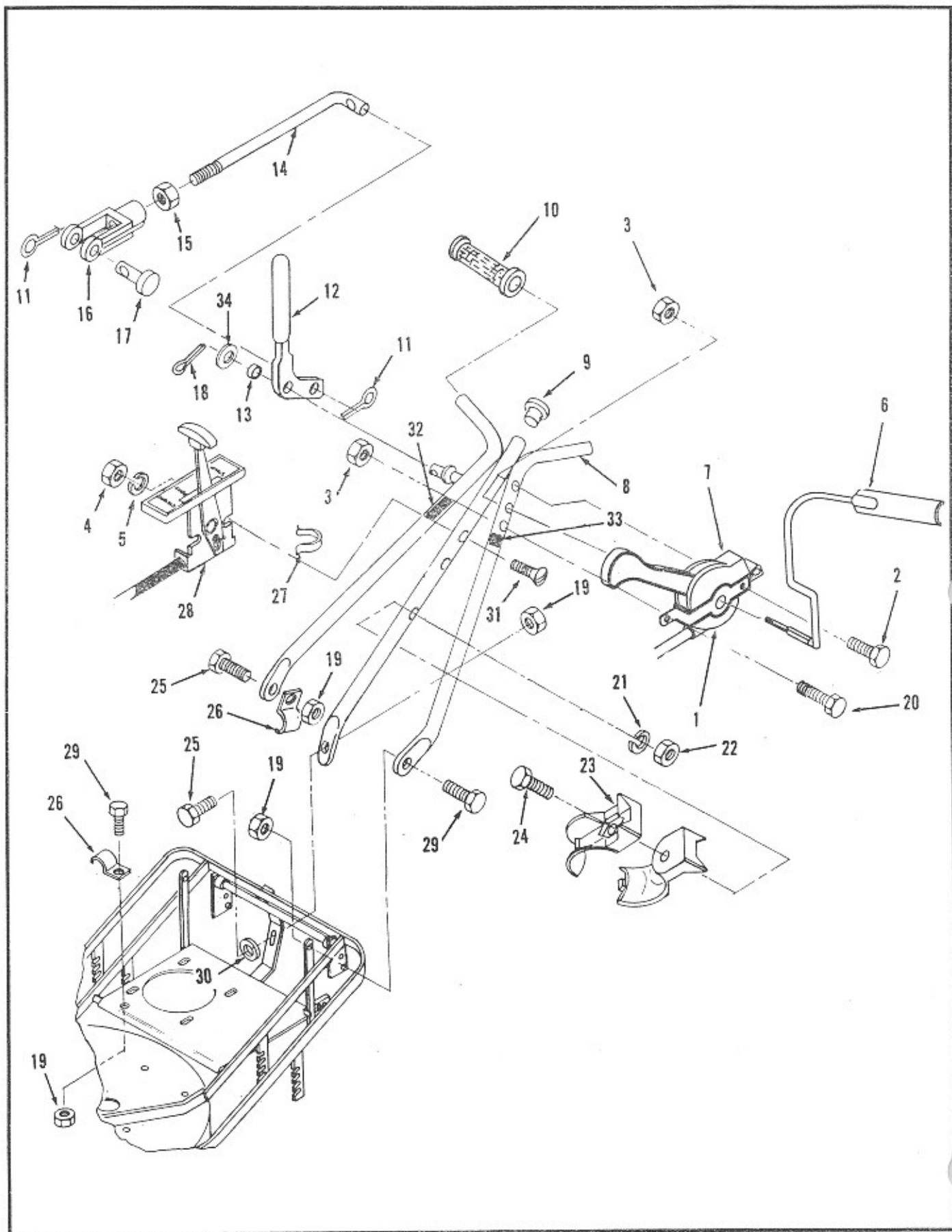


0202001G

Professional Quality Lawn Care Equipment
since 1945

Yazoo/Kees Power Equipment policy is to improve its products whenever it is possible and practical to do so. In an effort to keep pace with changes in technology, Yazoo/Kees reserves the right to make changes or improvements at any time without incurring any obligation to make such changes on products previously manufactured.

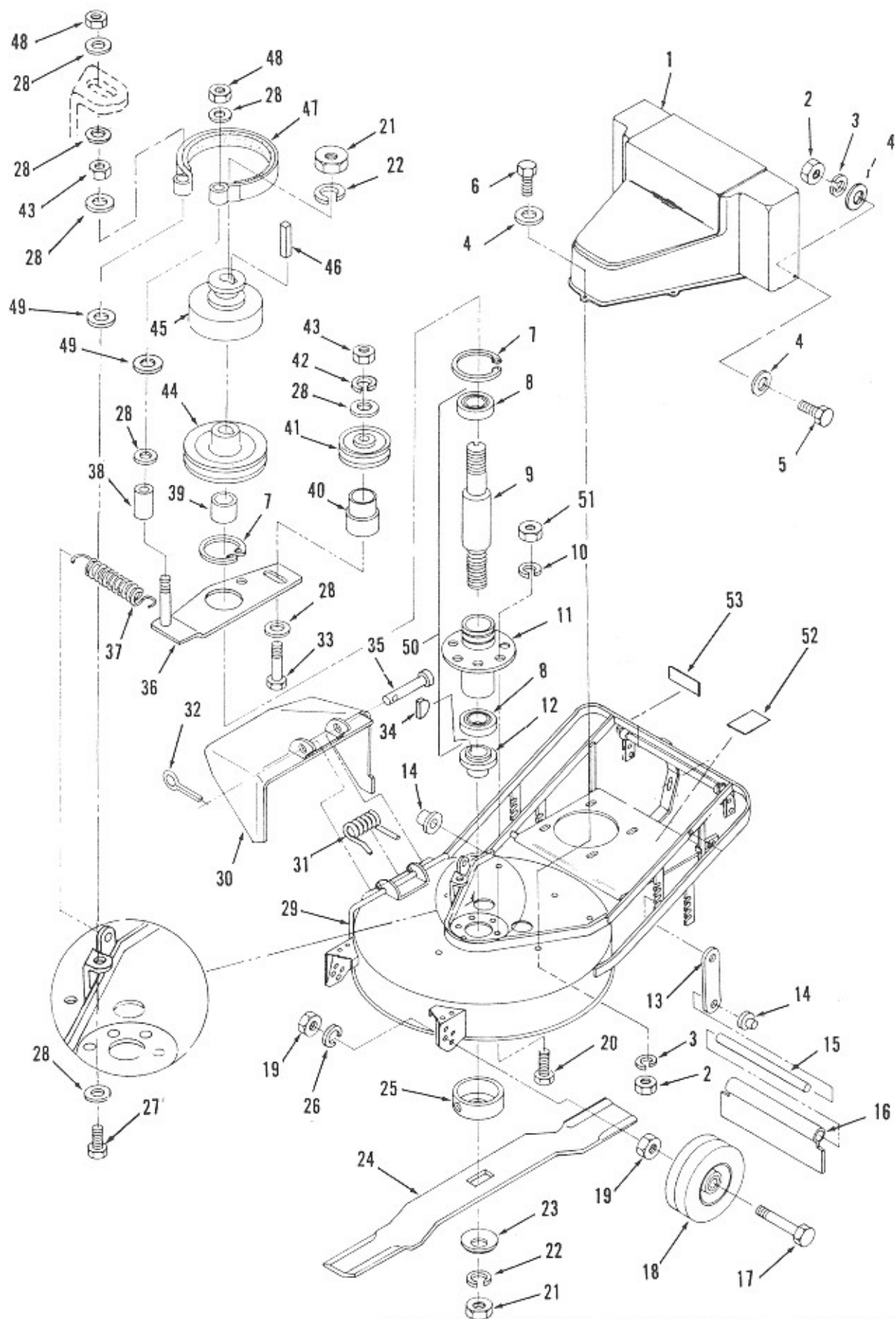
HANDLE ASSEMBLY



HANDLE ASSEMBLY

ITEM	PART NO.	DESCRIPTION
1	0301-169	Cable, Blade Brake
2	0209-032	HHCS, 1/4 C x 1-1/4
3	1401-009	Nut, 1/4 C Cenlk (3)
4	1401-001	Nut, #10-24 (2)
5	2301-001	Washer, 3/16 Lock (2)
6	1201-126	Weldm't, Blade Engaging
7	0301-168	Control, Blade Brk.
8	0801-565	Handle Assembly
9	0303-004	Cap, Tube 7/8
10	0703-039	Grip, Handle Ribbed (2)
11	1604-086	Pin, Ctr 3/32 x 1/2 (2)
12	1201-015	Lever, FSP Engagement
13	0215-026	Bushing, 5/8 x 1/2
14	1808-141	Rod
15	1401-020	Nut, 5/16C Hex
16	2501-027	Yoke, Rod 5/16
17	1604-013	Pin,Clevis
18	1604-002	Pin, Cotter 3/32 x1
19	1401-021	Nut, 5/16C Cenloc (4)
20	0209-151	HHCS, 1/4 C x 2-1/4
21	2301-003	Washer, 1/4 Lock
22	1401-010	Nut, 1/4C Hex
23	0705-034	Guide, Rope
24	0209-050	Bolt, 1/4 x 2
25	0209-114	HHCS, 5/16x1"G5 (2)
26	0307-027	Clamp, Cable (2)
27	0309-020	Clip
28	0301-064	Cable, Throttle Control
29	0209-108	HHCS, 5/16Cx3/4 G5 (2)
30	2301-021	Washer, 5/16 Flat
31	0208-007	RHMS, 10-24x1.25 (2)
32	0401-376	Decal, Traction Drive Control
33	0401-377	Decal, Blade Brake Control
34	2301-356	Washer, Flat

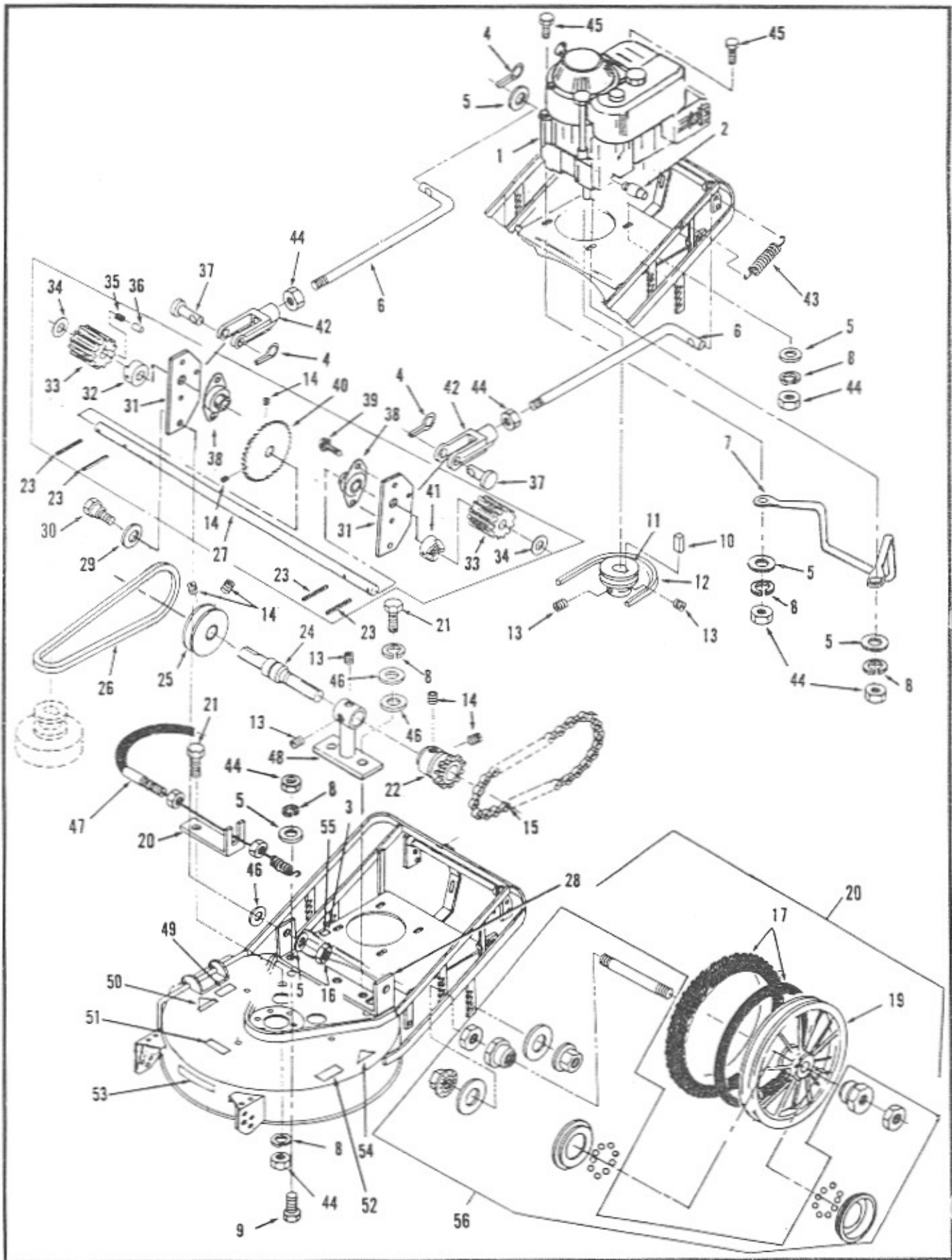
MOWER DECK ASSEMBLY



MOWER DECK ASSEMBLY

ITEM	PART NO.	DESCRIPTION
1	0804-034	Hood, SV26
2	1401-010	Nut, 1/4C Hex (5)
3	2301-003	Washer, 1/4 Lock (5)
4	2301-020	Washer, 1/4 Flat (7)
5	0209-032	HHCS, 1/4 C x 1-1/4 (2)
6	0209-021	HHCS, 1/4 C x3/4 G5 (3)
7	1806-147	Ring, Snap 2-1/8 D.(2)
8	0204-060	Bearing, Hub(2)
9	1904-295	Shaft, Hub
10	2301-004	Washer, 5/16 Lock (6)
11	0806-234	Housing, Hub
12	0101-163	Adapter, Blade
13	1918-007	Strap, Drg Flp Hngr (2)
14	0303-021	Cap, Drag Flap (2)
15	1808-182	Rod, Drag Flap
16	0609-014	Flap, Drag
17	0209-528	HHCS, 1/2 F x 2-1/2 G5 (2)
18	2302-023	Wheel (2)
19	1401-050	Nut, 1/2F Hex Jam (4)
20	0209-114	HHCS, 5/16 C x 1 G5 (6)
21	1401-071	Nut, 5/8 F Hex (2)
22	2301-010	Washer, 5/8 Lock (2)
23	2301-096	Washer, Cup 5/8
24	0206-626	Blade, 26"
25	1906-021	Shield, Hub
26	2301-008	Washer, 1/2 Lock (2)
27	0209-338	HHCS, 3/8 C x 2 G5
28	2301-022	Washer, 3/8 Flat (8)
29	0605-515	Frame, WLDT W/Decals
30	0306-012	Guard, Chute S-24/26
31	1916-036	Spring, Chute
32	1604-086	Pin, Cotter 3/32 x 1/2
33	0209-337	Bolt, 3/8-16 x1-7/8
34	1102-013	Key, Woodruff
35	1604-043	Pin, Clevis
36	0102-156	Arm. Idler
37	1916-183	Spring, Exp Brake
38	1913-088	Spacer, Brake Band (2)
39	1913-078	Spacer, Pulley
40	1913-077	Spacer, Idler Pulley
41	1608-095	Pulley, Idler
42	2301-006	Washer, 3/8 Lock
43	1401-030	Nut, 3/8 C Hex (2)
44	1608-163	Pulley, Spindle
45	1608-118	Pulley, Brake Drum
46	1102-023	Key, Sq. .18x2.125
47	0217-027	Brake, Band
48	1401-031	Nut 3/8 C Cenlock (2)
49	2301-095	Washer, Flat (2)
50	0808-029	Hub, Assembly
51	1401-020	Nut, 5/16 C Hex (6)
52	0401-464	Decal, Warning
53	0401-399	Decal, Stabilize

DRIVE & HEIGHT ADJUSTMENT ASSEMBLY



DRIVE & HEIGHT ADJUSTMENT ASSEMBLY

ITEM	PART NO.	DESCRIPTION	ITEM	PART NO.	DESCRIPTION
1	E-301	Eng., Briggs 8.5HP	31	0102-205	Arm, Pivot Friction (2)
2	2201-042	Valve, Oil Drain	32	1803-007	Rachet, R.H.
3	0401-406	Decal, Clear	33	0405-005	Driver (2)
4	1604-086	Pin, Cotter 3/32 x 1/2 (4)	34	1913-095	Spacer, End (2)
5	2301-021	Washer, 5/16 Flat (8)	35	1916-013	Spring, Rachet (2)
6	1808-312	Rod-Pull FSP (2)	36	1604-007	Pin, Spine (2)
7	1101-022	Guide, Belt	37	1604-013	Pin, 5/16x1-1/4 Clevis (2)
8	2301-004	Washer, 5/16 Lock (9)	38	0204-182	Bearing, Flange (2)
9	0209-114	HHCS, 5/16 X 1 G5 (2)	39	0209-089	HWST, 3/8 C x 7/8 (4)
10	1102-002	Key, Sq. 1/4 x 1.00	40	1917-014	Sprocket, 36 Tooth
11	1608-413	Pulley, Eng	41	1803-008	Rachet, L.H.
12	0205-541	Belt, Blade	42	2501-027	Yoke, Rod 5/16 (2)
13	1901-009	SHSS, .312Cx.31 (4)	43	1916-183	Spring
14	1901-011	Screw, S 5/16x5/16NF(6)	44	1401-020	Nut, 5/16C Hex (5)
15	0305-025	Chain, FSP	45	0209-135	HHCS, 5/16Cx1-3/4 (4)
16	1401-021	Nut, 5/16 C Lock (2)	46	2301-020	Washer, 1/4 Flat (6)
17	2003-010	Tire/Tube, 20" Knob (2)	47	0301-169	Cable, Blade brake
18	2305-015	Kit, Spoke Wheel (2)	48	0806-356	Housing, Friction
19	2302-123	Wheel, Spoke 20" (2)	49	0401-110	Decal, Chute Warning
20	0214-178	Brk't., Cable Anchor	50	0401-111	Decal, Danger Cut
21	0209-108	HHCS, 5/15Cx3/4 G5	51	0401-459	Decal, Yazoo Classic
22	1917-012	Sprocket, FSP	52	0401-460	Decal,SV 26"
23	1604-014	Pin, 3/16 x 1 1/4 Roll (4)	53	0401-463	Decal, Commercial
24	0204-045	Bearing, Water Pump	54	0401-220	Decal, OPEI Safety
25	1608-166	Pulley, Friction Drive	55	0401-404	Decal, Serial Plate
26	0205-428	Belt, Friction Drive	56	1105-013	Kit, Spoke Wheel
27	1904-071	Shaft, FSP			
28	0214-193	Brk't, Friction Assy.			
29	2301-095	Washer, Flat (2)			
30	0212-025	Bolt, Soulder 7/16 (2)			