

YAZOO

AUGUST 1990

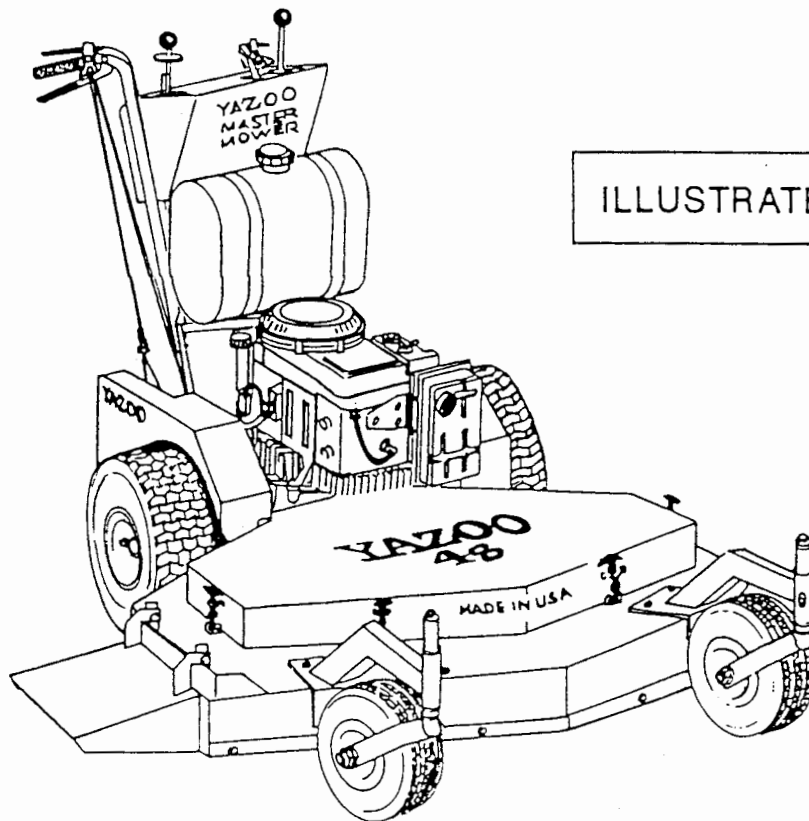
WALK-BEHIND
MOWER

OWNER'S
MANUAL

W36KI-2

W48KI-2

W48W-2



ILLUSTRATED PARTS LIST

LITERATURE NUMBER 1301-119

ILLUSTRATED PARTS LIST

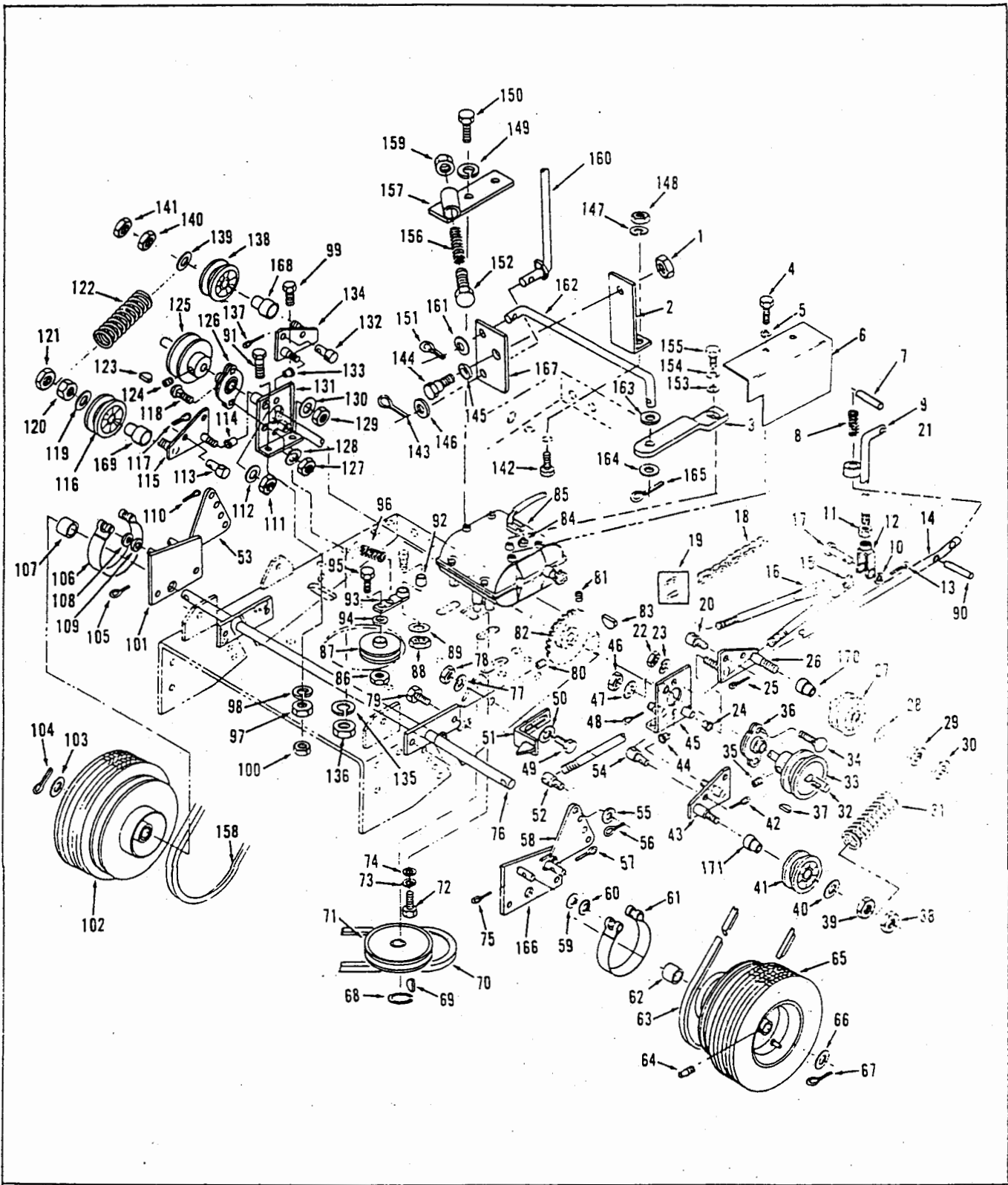


FIGURE 2 DRIVE TRAIN COMPONENTS
EXPLODED VIEW

ILLUSTRATED PARTS LIST

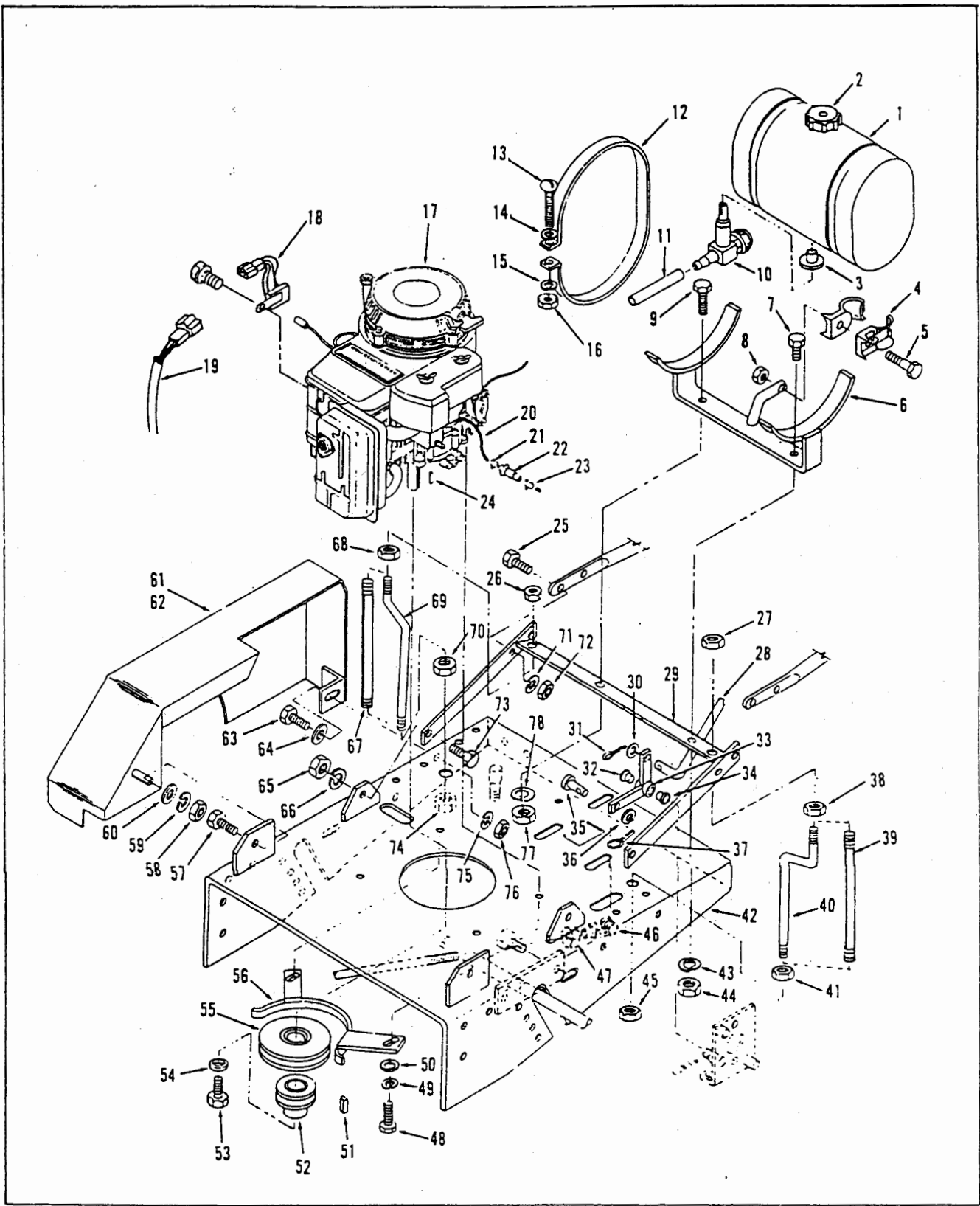


FIGURE 3 CHASSIS WITH ENGINE
EXPLODED VIEW

ILLUSTRATED PARTS LIST

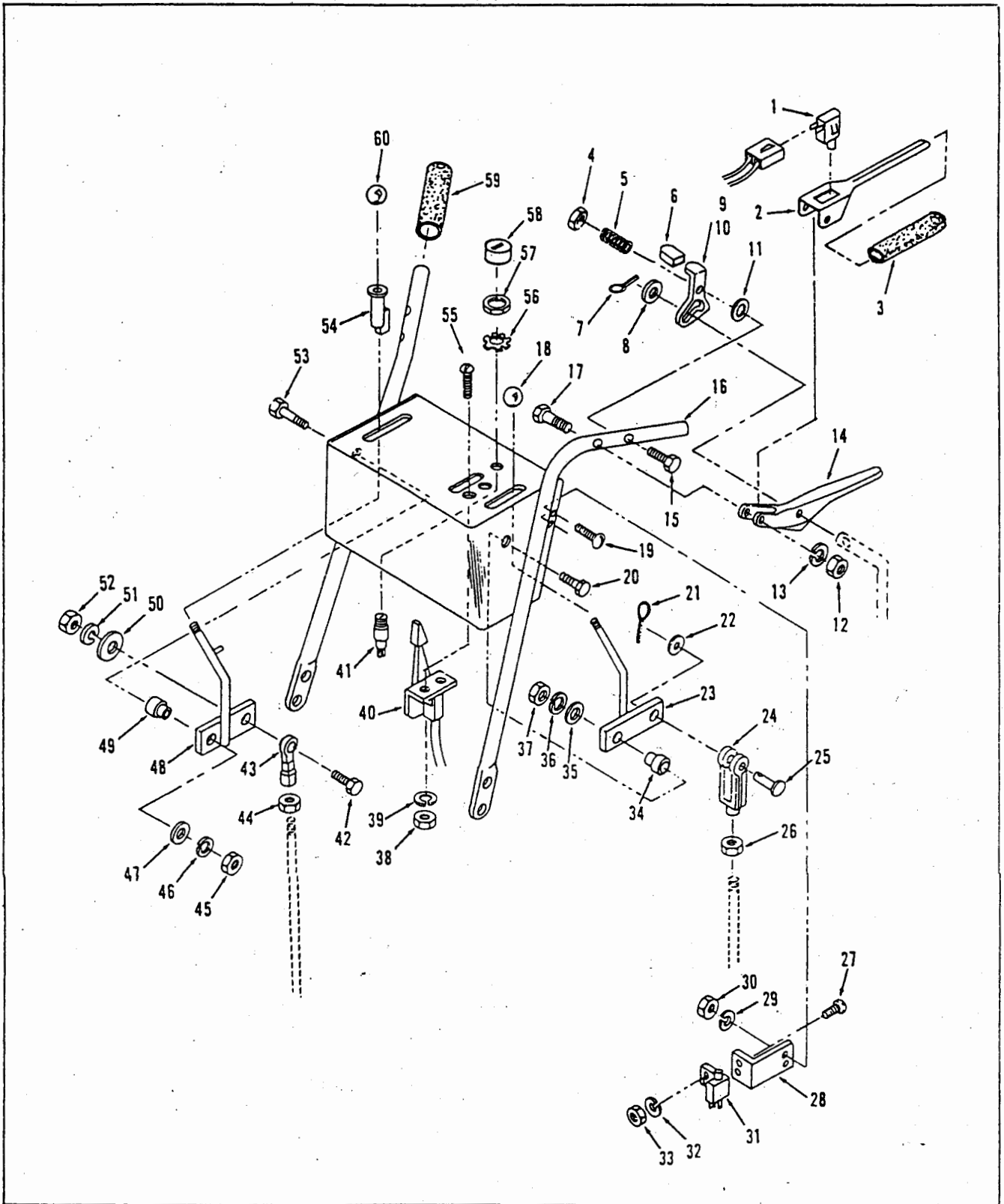


FIGURE 4 HANDLE ASSEMBLY
EXPLODED VIEW

ILLUSTRATED PARTS LIST

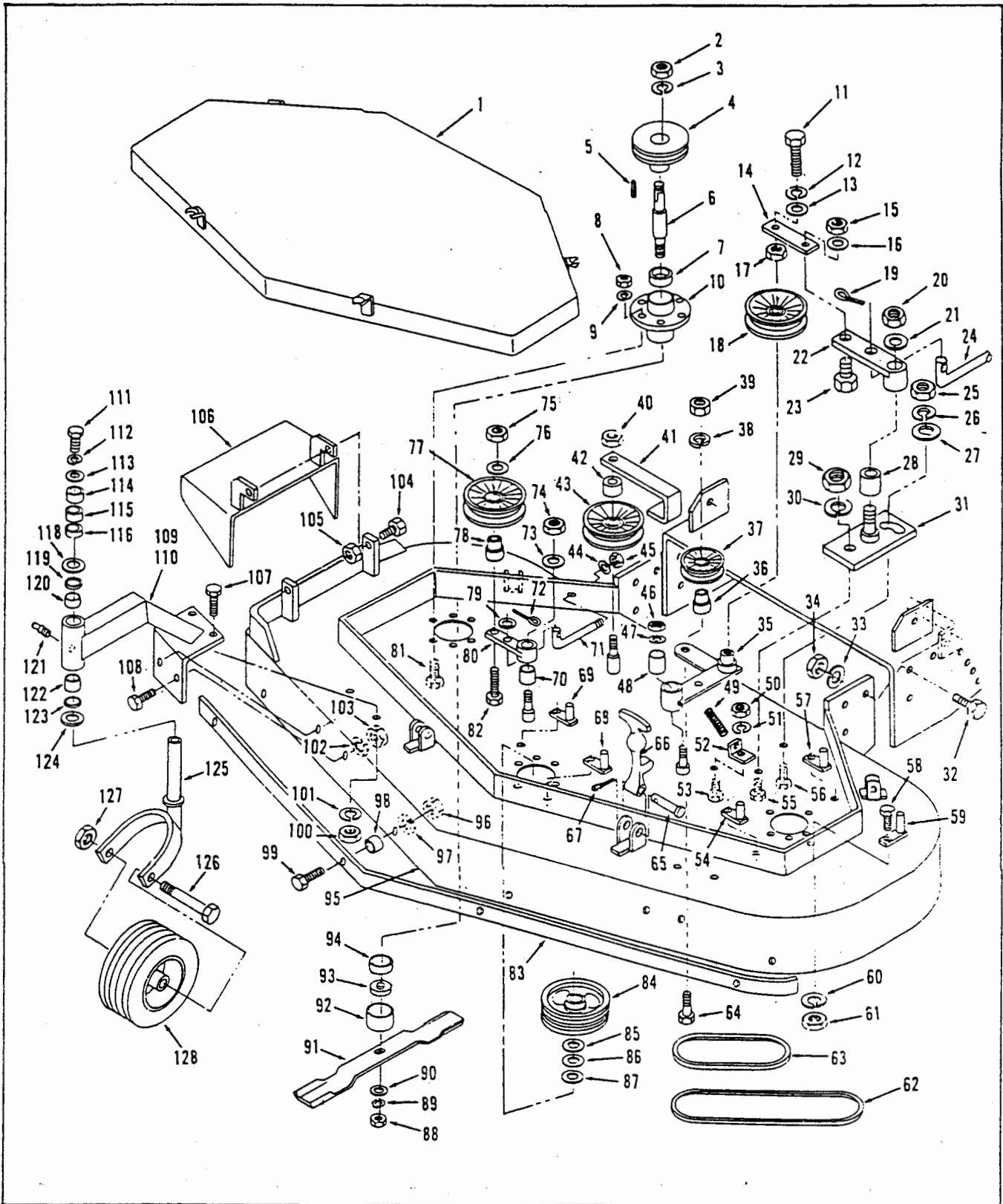


FIGURE 5 W48 MOWER CUTTING SECTION
EXPLODED VIEW

ILLUSTRATED PARTS LIST

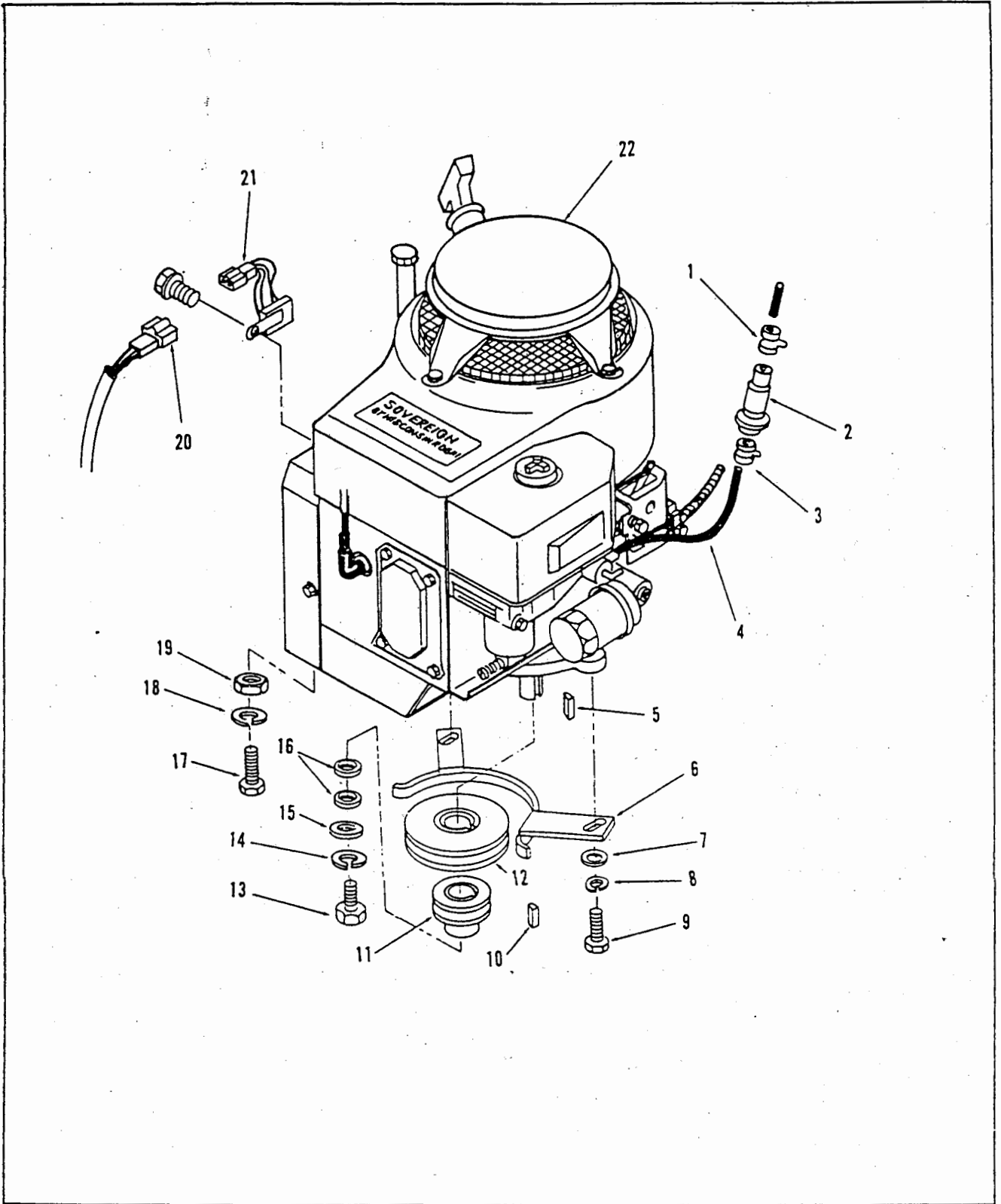


FIGURE 6 WISCONSIN ENGINES AND ASSOCIATED PARTS

ILLUSTRATED PARTS LIST

FIGURE KEY NUMBER INDEX

KEY	PART NO.	DESCRIPTION	QTY
1-1	1208-023-001	LATCH, FLEX DRAW ASSEMBLY	4
1-2	1604-013	PIN, 5/16" X 1/4"	4
1-3	1604-144	PIN, COTTERT	4
1-4	0804-092	HOOD, CUTTING DECK	1
1-5	0209-425	BOLT, 7/16" X 1 1/2"	1
1-6	2301-007	WASHER, LOCK 7/16"	1
1-7	2301-022	WASHER, FLAT 3/8"	1
1-8	1401-021	NUT, LOCK 5/16" USS	1
1-9	2301-022	WASHER, FLAT 3/8"	1
1-10	0102-136	ARM, BLADE ENGAGING	1
1-11	1401-040	NUT, 7/16"	1
1-12	1808-298	ROD, ENGAGING	1
1-13		NOT USED	
1-14	1401-072	NUT, FLEX LOCK 5/8" SAE	1
1-15	1913-040	SPACER, 5/8" X 7/8"	1
1-16	0102-142	ARM, IDLER ASSEMBLY	1
1-17	1608-400	PULLEY, IDLER C/S	1
1-18	1604-002	PIN, COTTER 3/32"X1"	1
1-19	0209-114	BOLT, CAP 5/16"X1" NC	1
1-20	1401-020	NUT, 5/16" USS	1
1-21	2301-004	WASHER, LOCK 5/16"	1
1-22	0215-178	BUSHING, BRONZE	1
1-23	1401-020	NUT, 5/16" USS	1
1-24	2301-004	WASHER, LOCK 5/16"	1
1-25	2301-021	WASHER, FLAT 5/16"	1
1-26	0214-461	BRACKET, BELT DRIVE	1
1-27	0209-314	BOLT, 3/8" X 1" NC	6
1-28	2301-006	WASHER, LOCK 3/8"	6
1-29	1401-030	NUT, 3/8" USS	6
1-30	0102-150	ARM, IDLER ASSEMBLY	1
1-31	0209-510	BOLT, 1/2" X 1 3/4"	1
1-32	1401-072	NUT, FLEX LOCK 5/8" SAE	1
1-33	1913-040	SPACER, 5/8" X 7/*	1
1-34	1913-240	SPACER, IDLER PULLEY	1
1-35	0214-178	BUSHING, BRONZE	1
1-36	0605-455	FRAME, W36 CUTTING DECK	1
1-37	0209-114	BOLT, CAP 5/16" X 1" NC	1
1-38	0209-114	BOLT, CAP 5/16" X 1" NC	1
1-39	0205-535	BELT, HUB-TO-HUB	1
1-40	0705-053	GUIDE, BELT ASSEMBLY	1
1-41	0705-053	GUIDE, BELT ASSEMBLY	1
1-42	0209-114	BOLT, CAP 5/16" X 1" NC	4
1-43	0209-114	BOLT, CAP 5/16" X 1" NC	12
1-44	2301-004	WASHER, LOCK 5/16"	4
1-45	1401-020	NUT, 5/16" USS	4
1-46	0204-060	BEARING, HUB 3/4" ID	2
1-47	0101-002	ADAPTOR	2
1-48	1906-021	SHIELD, HUB	2
1-49	0206-992	BLADE	2
1-50	2301-096	WASHER, CUP 5/8"	2
1-51	2301-010	WASHER, LOCK 5/8"	2

ILLUSTRATED PARTS LIST

FIGURE KEY NUMBER INDEX

KEY	PART NO.	DESCRIPTION	QTY
1-52	1401-071	NUT, 5/8" SAE	2
1-53	2301-004	WASHER, LOCK 5/16"	4
1-54	1401-020	NUT, 5/16" USS	4
1-55	1401-020	NUT, 5/16" USS	4
1-56	2301-004	WASHER, LOCK 5/16"	4
1-57	2305-059	WHEEL ASSY., FRONT CASTER	2
1-58	0209-168	BOLT, 5/8" X 6 1/2" NF	2
1-59	2501-040	YOKE, WHEEL	2
1-60	1401-072	NUT, FLEX LOCK 5/8" SAE	2
1-61	0209-108	BOLT, 5/16" X 3/4" USS	4
1-62	2301-098	WASHER, FLAT 1"	2
1-63	1806-002	O-RING	2
1-64	0215-122	BUSHING, 1 1/4" OD X 1" ID	2
1-65	0102-147	ARM, FRONT ASSEMBLY (LH)	1
1-66	0102-148	ARM, FRONT ASSEMBLY (RH)	1
1-67	0209-108	BOLT, 5/16" X 3/4" USS	4
1-68	0603-004	FITTING, GREASE	2
1-69	0215-122	BUSHING, 1 1/4" OD X 1" ID	2
1-70	1806-002	O-RING	2
1-71	2301-098	WASHER, FLAT 1"	2
1-72	1913-120	SPACER	2
1-73	1913-121	SPACER	2
1-74	1913-120	SPACER	2
		NOT USED	
1-76	2301-102	WASHER, FLAT 3/8"	2
1-77	2301-004	WASHER, LOCK 5/16"	2
1-78	0209-108	BOLT, 5/16" X 3/4" USS	2
1-79	0306-030	CHUTE, GUARD ASSEMBLY	1
1-80	1401-021	NUT, LOCK 5/16" USS	2
1-81	0209-114	BOLT, CAP 5/16" X 1" NC	2
1-82	0705-053	GUIDE, BELT ASSEMBLY	1
1-83	0705-053	GUIDE, BELT ASSEMBLY	1
1-84	0806-206	HOUSING, HUB	2
1-85	0204-060	BEARING, HUB 3/4" ID	2
1-86	2301-004	WASHER, LOCK 5/16"	12
1-87	1401-020	NUT, 5/16" USS	12
1-88	1904-282	SHAFT, HUB	2
1-89	1102-002	KEY, 1/4" X 1/4" X 1"	2
1-90	1608-398	PULLEY, HUB	2
1-91	2301-010	WASHER, LOCK 5/8"	2
1-92	1401-070	NUT, JAM 5/8" SAE	2
1-93	16086400	PULLEY, IDLER C/S	1
1-94	1913-275	SPACER, IDLER FIXED	1
1-95	0705-054	GUIDE, IDLER PULLEY	1
1-96	1401-072	NUT, FLEX LOCK 5/8" SAE	1
1-97		NOT USED	
1-98		NOT USED	
1-99	1401-050	NUT, 1/2"	1
1-100	2301-008	WASHER, LOCK 1/2"	1
1-101	1608-389	PULLEY	1

ILLUSTRATED PARTS LIST

FIGURE KEY NUMBER INDEX

KEY	PART NO.	DESCRIPTION	QTY
1-102	1916-012	SPRING	1
1-103	1401-020	NUT, 5/16" USS	1
1-104	2301-004	WASHER, 5/16" LOCK	1
1-105	0214-497	BRACKET SPRING HANGER	1
1-106	0209-108	BOLT, 5/16" X 3/4" NC	1
KEY	PART NO.	DESCRIPTION	QTY
2-1	1401-030	NUT USS	1
2-2	0214-173	BRKT, PIVOT TRANS ENGMT.	1
2-3	1201-102	LEVER, TRANS SHIFT	1
2-4	0209-804	BOLT, 5/16" SELF-TAP	2
2-5	2301-004	WASHER, LOCK 5/16"	2
2-6	0314-120	COVER, CHAIN	1
2-7	1604-164	PIN, ROLL 1/8" X 1/2"	2
2-8	1916-035	SPRING, COMPRESSION	2
2-9	1808-173	ROD, CLUTCH CONTROL (RH)	1
2-10	2301-021	WASHER, FLAT 5/16"	2
2-11	1401-020	NUT, 5/16" USS	2
2-12	2501-027	YOKE	2
2-13	1604-002	PIN, COTTER 3/32" X 1"	2
2-14	1808-172	ROD, BRAKE	2
2-15	1808-292	ROD, CLUTCH, BOTTOM	2
2-16	1808-281	ROD, CLUTCH TOP	2
2-17	1604-013	PIN	2
2-18	0305-115	CHAIN	1
2-19	1204-003	LINK	1
2-20	0502-020	END, ROD 3/8" NC	1
2-21	1808-174	ROD, CLUTCH CONTROL (LH)	1
2-22	1401-010	NUT, 1/4" USS	2
2-23	2301-003	WASHER, LOCK 1/4"	2
2-24	0215-157	BUSHING, NYLON	1
2-25	1604-002	PIN, COTTER 3/32" X 1"	1
2-26	0214-176	PIVOT ASSEMBLY, IDLER LH	1
2-27	1608-389	PULLEY, IDLER	1
2-28	2301-025	WASHER, 1/2" SAE	1
2-29	1401-227	NUT, 1/2"	1
2-30	1401-227	NUT, 1/2"	1
2-31	1916-179	SPRING, TENSION	1
2-32	1904- 100	SHAFT, FRICTION DRIVE	1 W36 ONLY
2-32A	1904-100	SHAFT, FRICTION DRIVE	1 W48 ONLY
2-33	1608-402	PULLEY, FRICTION	1
2-34	0209-824	BOLT, 1/4" - 20 UNC X 3/4"	2
2-35	1901-006	SCREW, SET 5/16" X 1"	1
2-36	0204-160	BEARING, FLANGE	1
2-37	1102-013	KEY, WOODRUFF RC 45	1
2-38	1401-227	NUT, 1/2"	1
2-39	1401-227	NUT, 1/2"	1
2-40	2301-025	WASHER, 1/2" SAE	1
2-41	1608-389	PULLEY, IDLER	1
2-42	1604-002	PIN, COTTER 3/32" X 1:	1
2-43	0214-177	BRACKET, PIVOT ARM ASSY	1

ILLUSTRATED PARTS LIST

FIGURE KEY NUMBER INDEX

KEY	PART NO.	DESCRIPTION	QTY
2-44	0215-157	BUSHING, NYLON	1
2-45	0214-445	BRACKET, FRICTION MTG (LS)	1
2-46	1401-051	NUT, FULL 1/2"	1
2-47	2301-024	WASHER, FLAT 1/2"	1
2-48	1604-002	PIN, COTTER 3/32" X 1"	1
2-49	0209-108	BOLT, 5/16" X 3/4" USS	1
2-50	2301-021	WASHER, FLAT 1/2"	1
2-51	0214-464	BRACKET, PULLEY	1
2-52	0502-021	END, ROD 5/16" NC	1
2-53	0102-141	ARM, BRAKE ASSEMBLY (RH)	1
2-54	0502-021	END, ROD 5/16" NC	1
2-55	2301-021	WASHER, FLAT 5/16"	1
2-56	1604-002	PIN, COTTER 3/32" X 1"	1
2-57	1604-002	PIN, COTTER 3/32" X 1"	1
2-58	0102-140	ARM, BRAKE ASSEMBLY (LH)	1
2-59	2301-021	WASHER, FLAT 5/16"	1
2-60	2301-021	WASHER, FLAT 5/16"	1
2-61	0217-020	BAND, BRAKE	1
2-62	1913-276	SPACER	1
2-63	0205-532	BELT, DRIVE SIDE	1
2-64	0603-004	FITTING, GREASE	2
2-65	2305-131	WHEEL, REAR	1
2-66	2301-333	WASHER, 7/8" SAE	1
2-67	1604-042	PIN, COTTER 1/8" X 1"	1
2-68	1806-114	RING, SNAP	1
2-69	1102-013	KEY, WOODRUFF RC 45	1
2-70	0205-531	BELT, ENGINE-TO-G/B	1
2-71	1608-352	PULLEY, TRANS. 5 1/2"	1
2-72	0209-108	BOLT, 5/16" X 3/4" USS	4
2-73	2301-004	WASHER, LOCK 5/16"	4
2-74	2301-021	WASHER, FLAT 5/16"	4
2-75	1604-002	PIN, COTTER 3/32" X 1"	1
2-76	0103-113	AXLE, REAR ASSEMBLY	1
2-77	2301-004	WASHER, LOCK 5/16"	1
2-78	1401-020	NUT, 5/16" USS	1
2-79	0209-314	BOLT, 3/8" X 1" NC	2
2-80	1901-011	SCREW, SET 5/16" X 1" NF	1
2-81	1901-011	SCREW, SET 5/16" X 1" NF	1
2-82	1917-054	SPROCKET, DRIVE	1
2-83	1102-013	KEY, WOODRUFF RC 45	1
2-84	1923-015	SWITCH, CONTROL	1
2-85	2006-074	TRANSMISSION 700-004A	1
2-86	1401-050	NUT, JAM 1/2"	1
2-87	1608-408	PULLEY, IDLER	1
2-88	1401-072	NUT, FLEX LOCK 5/8" SAE	1
2-89	1913-040	SPACER, 5/8" X 7/8"	1
2-90	1604-164	PIN, ROLL 1/8" X 1/2"	2
2-91	0209-114	BOLT 5/16" X 1"	1
2-92	0215-178	BUSHING, BRONZE	1
2-93	0102-143	ARM, IDLER ASSEMBLY	1 W48 ONLY
2-93A	0102-151	ARM, IDLER ASSEMBLY	1 W36 ONLY
2-94	2301-008	WASHER, LOCK 1/2"	1
2-95	0209-517	BOLT, 1/2" X 2" NF	1

ILLUSTRATED PARTS LIST

FIGURE KEY NUMBER INDEX

KEY	PART NO.	DESCRIPTION	QTY
2-96	1916-140	SPRING, BLADE BRAKE	1
2-97	1401-020	NUT 5/16" USS	1
2-98	2301-021	WASHER, FLAT 5/16"	1
2-99	0209-108	BOLT, 5/16" X 3/4"USS	3
2-100	1401-021	NUT, LOCK 5/16"	1
2-101	0214-462	BRACKET, BRAKE MOUNTING	1
2-102	2305-131	WHEEL, REAR	1
2-103	2301-333	WASHER, 7/8" SAE	1
2-104	1604-042	PIN, COTTER 1/8" X 1"	1
2-105	1604-002	PIN, COTTER 3/32" X 1"	1
2-106	0217-020	BAND, BRAKE	1
2-107	1913-276	SPACER	1
2-108	2301-021	WASHER, FLAT 5/16"	1
2-109	2301-021	WASHER, FLAT 5/16"	1
2-110	1604-002	PIN, COTTER 3/32" X 1"	1
2-111	1401-051	NUT, FULL 1/2"	1
2-112	2301-024	WASHER, FLAT 1/2"	1
2-113	0502-020	END, ROD 3/8" NC	1
2-114	0215-157	BUSHING, NYLON	1
2-115	0214-176	PIVOT ASSEMBLY, IDLER	1
2-116	1608-389	PULLEY, IDLER	1
2-117	1604-002	PIN, COTTER 3/32" X 1"	1
2-118	0209-824	BOLT, 1/4" - 2-UNC X 3/4"	1
2-119	2301-025	WASHER, 1/2" SAE	1
2-120	1401-227	NUT, 1/2"	1
2-121	1401-227	NUT, 1/2"	1
2-122	1916-179	SPRING, TENSION	1
2-123	1102-013	KEY, WOODRUFF RC 45	1
2-124	1901-006	SCREW, SET 5/16" X 1"	1
2-125	1608-402	PULLEY, FRICTION	1
2-126	0204-160	BEARING, FLANGE	1
2-127	1401-010	NUT, 1/4" USS	2
2-128	2301-003	WASHER, LOCK 1/4"	2
2-129	1401-031	NUT, LOCK 3/8"	1
2-130	2301-021	WASHER, FLAT 5/16"	1
2-131	0214-460	BRACKET, FRICTION MTG (RS)	1
2-132	0502-020	END, ROD 3/8" NC	1
2-133	0215-157	BUSHING, NYLON	1
2-134	0214-177	BRACKET, PIVOT AR, ASSY RH	1
2-135	2301-004	WASHER, LOCK 5/16"	3
2-136	1401-020	NUT, 5/16" USS	3
2-137	1604-002	PIN, COTTER 3/32" X 1"	1
2-138	1608-389	PULLEY, IDLER	1
2-139	2301-025	WASHER, 1/2" SAE	1
2-140	1401-227	NUT, 1/2"	1
2-141	1401-227	NUT, 1/2"	1
2-142	0209-114	BOLT, CAP 5/16" X 1" NC	2
2-143	1604-002	PIN, COTTER 3/32" X 1"	1
2-144	0212-027	BOLT, SHOULDER	1
2-145	2301-022	WASHER, FLAT 3/8"	1

ILLUSTRATED PARTS LIST

FIGURE KEY NUMBER INDEX

KEY	PART NO.	DESCRIPTION	QTY
2-146	2301-022	WASHER, FLAT 3/8"	1
2-147	2301-004	WASHER, LOCK 5/16"	2
2-148	1401-020	NUT, 5/16" USS	2
2-149	2301-004	WASHER, LOCK 5/16"	2
2-150	0209-804	BOLT, 5/16" SELF-TAP	2
2-151	1601-002	PIN, COTTER 3/32" X 1"	1
2-152	0209-161	BOLT, 5/16" - 18 X 3"	1
2-153	2301-021	WASHER, FLAT 5/16"	1
2-154	2301-003	WASHER, LOCK 1/4"	1
2-155	0209-798	BOLT, 1/4" X 3/4" UHF	1
2-156	1916-181	SPRING REVERSE KICK-OUT	1
2-157	0214-174	BRACKET, REVERSE, KICK OUT	1
2-158	0205-532	BELT, DRIVE SIDE	1
2-159	1401-020	NUT, 5/16"	1
2-160	1808-302	ROD, TRANSMISSION CONTROL	1
2-161	2301-022	WASHER, FLAT 3/8"	1
2-162	1808-304	ROD, TRANSMISSION LINK	1
2-163	2301-022	WASHER, FLAT 3/8"	1
2-164	2301-022	WASHER, FLAT 3/8"	1
2-165	1601-002	PIN, COTTER 3/32 X 1"	1
2-166	0214-451	BRACKET, BRAKE MOUNTING	1
2-167	1605-125	PLATE, BELL CRANK	1
2-168	1913-240	SPACER, PULLEY IDLER	1
2-169	1913-240	SPACER, PULLEY IDLER	1
2-170	1913-240	SPACER, PULLEY IDLER	1
2-171	1913-240	SPACER, PULLEY IDLER	1

FIGURE NUMBER KEY INDEX

KEY	PART NO.	DESCRIPTION	QTY
3-1	2001-024	TANK, FUEL	1
3-2	0303-085	CAP	1
3-3	0215-179	BUSHING, RUBBER	1
3-4	0705-034	GUIDE, ROPE	1
3-5	0209-050	BOLT, 1/4" X 2"	1
3-6	0214-459	BRACKET, TANK MOUNTING	1
3-7	0209-114	BOLT, CAP 5/16" X 1" NC	1
3-8	1401-009	NUT, LOCK 1/4"	1
3-9	0209-114	BOLT, CAP 5/16" X 1" NC	1
3-10	2301-036	VALVE, CUTOFF	1
3-11	0812-065	HOSE, FUEL	1
3-12	1918-023	STRAP, TANK	2
3-13	0209-050	BOLT, 1/4" X 2"	2
3-14	2301-020	WASHER, FLAT 1/4"	2
3-15	2301-003	WASHER, LOCK 1/4"	2
3-16	1401-009	NUT, LOCK 1/4"	2
3-17	E250	ENGINE, KAWASAKI FB460V	1
3-18	1923-034	SWITCH, MODULE ENGINE	1
3-19	0811-047	HARNES	1
3-20	0812-066	HOSE, FUEL	1

ILLUSTRATED PARTS LIST

FIGURE KEY NUMBER INDEX

KEY	PART NO.	DESCRIPTION	QTY
3-21	0307-026	CLAMP	1
3-22	0610-011	FILTER, FUEL	1
3-23	0307-026	CLAMP	1
3-24	1102-002	KEY, 1/4" X 1/4" X 1"	1
3-25	0209-314	BOLT, 3/8" X 1" NC	4
3-26	1401-050	NUT, JAM 1/2"	1
3-27	1401-050	NUT, JAM 1/2"	1
3-28	1808-303	ROD, BLADE ENGAGE	1
3-29	0214-446	BRACKET, HANDLE ASSEMBLY	1
3-30	2301-021	WASHER, FLAT 5/16"	1
3-31	1604-002	PIN, COTTER 3/32" X 1"	1
3-32	0215-157	BUSHING, NYLON	1
3-33	0501-017	ELBOW, DRIVE RIGHT ANGLE	1
3-34	0215-157	BUSHING, NYLON	1
3-35	1604-018	PIN	1
3-36	2301-021	WASHER, FLAT 5/16"	1
3-37	1604-002	PIN, COTTER 3/32" X 1"	1
3-38	1401-050	NUT, JAM 1/2"	1
3-39	1808-282	ROD, HANDLE ADJUSTMENT	1 W48 ONLY
3-40	1808-296	ROD, HANDLE ADJUSTMENT	1 W36 ONLY
3-41	1401-050	NUT, JAM 1/2"	1
3-42	0605-454	FRAME, MOTOR BOARD	1 W36 ONLY
3-42A	0605-442	FRAME, MOTOR BOARD	1 W48 ONLY
3-43	2301-004	WASHER, LOCK 5/16"	1
3-44	1401-020	NUT, 5/16" USS	1
3-45	1401-050	NUT, JAM 1/2"	1
3-46	2501-027	YOKE	1
3-47	1401-020	NUT, 5/16" USS	1
3-48	0209-832	BOLT, 8MM X 25 MM	4
3-49	2301-004	WASHER, LOCK 5/16"	4
3-50	2301-077	WASHER, FLAT 5/16"	4
3-51	1102-002	KEY 1/4" X 1/4" X 1"	1
3-52	1608-403	PULLEY, ENGINE LOWER	1
3-53	0209-833	BOLT, 10MM X 28MM	1
3-54	2301-077	WASHER, RETAINER 5/16"	1
3-55	1601-401	PULLEY	1
3-56	0705-055	GUIDE	1
3-57	0209-108	BOLT, 5/16" X 3/4" USS	2
3-58	1401-020	NUT, 5/16" USS	2
3-59	2301-004	WASHER, LOCK 5/16"	2
3-60	2301-021	WASHER, FLAT 5/16"	2
3-61	0601-014	FENDER, R.H.	1
3-62	0601-015	FENDER, L.H.	1
3-63	0209-108	BOLT, 5/16" X 3/4" USS	2
3-64	2301-021	WASHER, FLAT 5/16"	2
3-65	1401-030	NUT, 3/8" USS	2
3-66	2301-006	WASHER, LOCK 3/8"	2
3-67	1808-282	ROD, HANDLE ADJUSTMENT	1 W48 ONLY
3-68	1401-050	NUT, JAM 1/2"	1
3-69	1808-296	ROD, HANDLE ADJUSTMENT	1 W36 ONLY
3-70	1401-050	NUT, JAM 1/2"	1

ILLUSTRATED PARTS LIST

FIGURE KEY NUMBER INDEX

KEY	PART NO.	DESCRIPTION	QTY
3-71	2301-006	WASHER, LOCK	4
3-72	1401-030	NUT, 3/8" USS	4
3-73	0209-314	BOLT, 3/8" X 1" NC	2
3-74	1401-050	NUT, JAM 1/2"	1
3-75	2301-004	WASHER, LOCK 5/16"	2
3-76	1401-020	NUT, 5/16" USS	2
3-77	1401-020	NUT, 5/16" USS	1
3-78	2301-004	WASHER, LOCK 5/16"	1

FIGURE KEY NUMBER INDEX

KEY	PART NO.	DESCRIPTION	QTY
4-1	1923-047	SWITCH, OPERATOR PRES.	2
4-2	1201-103	LEVER, OPER PRES. CONTROL	2
4-3	0703-032	GRIP, LEVER OPER. PRES.	2
4-4	1401-021	NUT, LOCK 5/16"	2
4-5	1916-180	SPRING, COMPRES. (LOCKOUT TB)	2
4-6	0703-033	GRIP, HANDLE	2
4-7	1604-002	PIN, COTTER 3/32" X 1"	2
4-8	2301-021	WASHER, FLAT 5/16"	2
4-9	0214-458	BRACKET, CLUTCH REL. (LH)	1
4-10	0214-457	BRACKET, CLUTCH REL. (RH)	1
4-11	2301-021	WASHER, FLAT 5/16	2
4-12	1401-021	NUT, LOCK 5/16"	2
4-13	2301-004	WASHER, LOCK 5/16"	2
4-14	0801-545	HANDLE, CLUTCH ASSEMBLY	2
4-15	0209-138	BOLT, 5/16" - 18 X 2"	2
4-16	1613-008	PANEL, CONTROL ASSY	1
4-17	0209-135	BOLT, 5/16" X 1 3/4"	2
4-18	1104-012	KNOB	1
4-19	0209-021	BOLT, 1/4" - 20 X 3/4"	2
4-20	0209-336	BOLT, 3/8" - 16 X 1 3/4"	1
4-21	1604-002	PIN, COTTER 3/32" X 1"	1
4-22	2301-021	WASHER, FLAT 5/16"	1
4-23	1201-101	LEVER, BLADE ENGAGE	1
4-24	2501-027	YOKE	1
4-25	1604-013	PIN	1
4-26	1401-020	NUT, 5/16" USS	1
4-27	1901-229	BOLT, #10 - 24 X .50	2
4-28	0214-496	BRACKET, BLADE SWITCH	1
4-29	2301-003	WASHER, LOCK 1/4"	2
4-30	1401-010	NUT, 1/4" USS	2
4-31	1923-025	SWITCH, NORMALLY OPEN	1
4-32	2301-001	WASHER, #10 LOCK	2
4-33	1401-001	NUT, #10 - 24	2
4-34	1913-291	SPACER, LEVER PIVOT	1
4-35	2301-022	WASHER, FLAT 3/8"	1
4-36	2301-006	WASHER, LOCK 3/8"	1
4-37	1401-030	NUT, 3/8" USS	1

ILLUSTRATED PARTS LIST

FIGURE KEY NUMBER INDEX

KEY	PART NO.	DESCRIPTION	QTY
4-38	1401-001	NUT, #10-24	2
4-39	2301-001	WASHER, LOCK #10	2
4-40	0301-143	CABLE, THROTTLE	1
4-41	1923-020	SWITCH, PANEL	1
4-42	0209-320	BOLT, 3/8" - 16 X 1 1/4"	1
4-43	0502-002	END, ROD	1
4-44	1901-032	NUT, 3/8" SAE	1
4-45	1401-030	NUT, 3/8" USS	1
4-46	2301-006	WASHER, LOCK 3/8"	1
4-47	2301-022	WASHER, FLAT 3/8"	1
4-48	1201-100	LEVER, TRANS ENGAGE	1
4-49	1913-291	SPACER, LEVER PIVOT	1
4-50	2301-022	WASHER, FLAT 3/8"	1
4-51	2301-006	WASHER, LOCK	1
4-52	1401-030	NUT, 3/8" USS	1
4-53	0209-336	BOLT, 3/8" - 16 X 1 3/4"	1
4-54	0801-547	LEVER, REVERSE LOCK OUT	1
4-55	1901-229	BOLT, #10 - 24 X .50	2
4-56	2301-009	WASHER, STAR LOCK	1
4-57	1401-005	NUT, SWITCH	1
4-58	0303-030	CAP - SWITCH	1
4-59	0703-031	GRIP, HANDLE	2
4-60	1104-012	KNOB	1

FIGURE KEY NUMBER INDEX

KEY	PART NO.	DESCRIPTION	QTY
5-1	0804-091	HOOD, W48 CUTTING DECK	1
5-2	1401-070	NUT, JAM 5/8" SAE	3
5-3	2301-010	WASHER, LOCK 5/8"	3
5-4	1608-398	PULLEY, HUB	2
5-5	1102-002	KEY, 1/4" X 1/4" X 1"	3
5-6	1904-282	SHAFT, HUB	3
5-7	0204-060	BEARING, HUB 3/4" ID	3
5-8	1401-020	NUT, 5/16" USS	18
5-9	2301-004	WASHER, LOCK 5/16"	18
5-10	0806-206	HOUSING, HUB	3
5-11	0209-425	BOLT, 7/16" X 1/2"	1
5-12	2301-007	WASHER, LOCK 7/16"	1
5-13	2301-022	WASHER, FLAT 3/8"	1
5-14	0102-136	ARM, BLADE ENGAGING	1
5-15	1401-021	NUT, LOCK 5/16" SS	1
5-16	2301-022	WASHER, FLAT 3/8"	1
5-17	1401-040	NUT, 7/16"	1
5-18	1608-400	PULLEY, IDLER E/S	1
5-19	1604-002	PIN, COTTER 3/32" X 1"	1
5-20	1401-072	NUT, FLEX LOCK 5/8" SAE	1
5-21	1913-040	SPACER, 5/8" X 7/8"	1
5-22	0102-142	ARM, IDLER ASSEMBLY	1

ILLUSTRATED PARTS LIST

FIGURE KEY NUMBER INDEX

KEY	PART NO.	DESCRIPTION	QTY
5-23	0209-114	BOLT, CAP 5/16" X 1" NC	1
5-24	1808-291	ROD, ENGAGING	1
5-25	1401-020	NUT, 5/16" USS	1
5-26	2301-004	WASHER, LOCK 5/16"	1
5-27	2301-021	WASHER, FLAT 5/16"	1
5-28	0215-178	BUSHING, BRONZE	1
5-29	1401-020	NUT, 5/16" USS	1
5-30	2301-004	WASHER, LOCK 5/16"	1
5-31	0214-461	BRACKET, BLET DRIVE	1
5-32	0209-314	BOLT, 3/8" X 1" NC	6
5-33	2301-006	WASHER, LOCK 3/8"	6
5-34	1401-030	NUT, 3/8" USS	6
5-35	0102-150	ARM, IDLER ASSEMBLY	1
5-36	1913-240	SPACER, IDLER PULLEY	1
5-37	1608-389	PULLEY	1
5-38	2301-008	WASHER, LOCK 1/2"	1
5-39	1401-050	NUT, 1/2"	1
5-40	1401-072	NUT, FLEX LOCK 5/8" SAE	1
5-41	0705-054	GUIDE, IDLER PULLEY	1
5-42	1913-275	SPACER, IDLER FIXED	1
5-43	1608-400	PULLEY, IDLER C/S	1
5-44	2301-021	WASHER, FLAT 5/16"	1
5-45	1401-021	NUT, LOCK 5/16"	1
5-46	1401-072	NUT, FLEX LOCK 5/8" SAE	1
5-47	1913-040	SPACER, 5/8" X 7/8"	1
5-48	0215-178	BUSHING, BRONZE	1
5-49	1916-012	SPRING	1
5-50	1401-020	NUT	1
5-51	2301-004	WASHER	1
5-52	0214-497	BRACKET, SPRING HANGER	1
5-53	0209-108	BOLT, 5/16" X 3/4" NC	1
5-54	0705-053	GUIDE, BELT ASSEMBLY	1
5-55	0209-114	BOLT, CAP 5/16" X 1" NC	1
5-56	0209-114	BOLT, CAP 5/16" X 1" NC	1
5-57	0705-053	GUIDE, BELT ASSEMBLY	1
5-58	0209-114	BOLT, CAP 5/16" X 1" NC	5
5-59	0705-053	GUIDE, BELT ASSEMBLY	1
5-60	2301-004	WASHER, LOCK 5/16"	5
5-61	1401-020	NUT, 5/16" USS	5
5-62	0205-529	BELT, ENGINE TO CUTTING DECK	1
5-63	0205-530	BELT, HUB TO HUB	1
5-64	0209-510	BOLT, 1/2" X 1 3/4" NF	1
5-65	1604-013	PIN 5/16" 1 1/4"	4
5-66	1208-023-001	LATCH, FLEX DRAW ASSEMBLY	4
5-67	1604-144	PIN, COTTER	4
5-68	0705-053	GUIDE, BELT ASSEMBLY	1
5-69	0705-053	GUIDE, BELT ASSEMBLY	1
5-70	0215-178	BUSHING, BRONZE	1
5-71	1808-287	ROD, IDLER CUTTING DECK	1
5-72	1604-002	PIN, COTTER 3/32" X 1"	1
5-73	1913-040	SPACER 5/8" X 7/8"	1

ILLUSTRATED PARTS LIST

FIGURE KEY NUMBER INDEX

KEY	PART NO.	DESCRIPTION	QTY
5-74	1401-072	NUT, FLEX LOCK 5/8" SAE	1
5-75	1401-072	NUT, FLEX LOCK 5/8" SAE	1
5-76	1913-040	SPACER, 5/8" X 7/8"	1
5-77	1608-400	PULLEY, IDLER CUTTING DECK	1
5-78	1913-240	SPACER, IDLER PULLEY	1
5-79	2301-021	WASHER, FLAT 5/16"	1
5-80	0102-143	ARM, IDLER ASSEMBLY	1
5-81	0209-114	BOLT, CAP 5/16" X 1" NC	18
5-82	0209-517	BOLT, 1/2" X 2" NF	1
5-83	0704-365	GUARD, FRONT CUTTING DECK	1
5-84	1608-399	PULLEY, CENTER HUB	1
5-85	2301-028	WASHER, 1 3/8" ID	1
5-86	2301-028	WASHER, 1 3/8" ID	1
5-87	2301-028	WASHER, 1 3/8" ID	1
5-88	1401-071	NUT, 5/8" SAE	3
5-89	2301-010	WASHER, LOCK 5/8"	3
5-90	2301-096	WASHER, CUP 5/8"	3
5-91	0206-648	BLADE, CUTTING DECK	3
5-92	1906-006	SHIELD, HUB	3
5-93	0101-002	ADAPTER	3
5-94	0204-060	BEARING, HUB 3/4" ID	3
5-95	0605-443	FRAME, CUTTING DECK	1
5-96	1401-020	NUTS, 5/16" USS	4
5-97	2301-004	WASHER, LOCK 5/16"	4
5-98	1913-274	SPACER, CUTTING DECK	4
5-99	0209-126	BOLT, 5/16" X 1/2"	4
5-100	1401-020	NUT, 5/16" USS	4
5-101	2301-004	WASHER, LOCK 5/16"	4
5-102	2301-004	WASHER, LOCK 5/16"	4
5-103	1401-020	NUT, 5/17" USS	4
5-104	0209-114	BOLT, CAP 5/16" X 1" NC	2
5-105	1401-021	NUT, LOCK 5/16" X 2"	2
5-106	0306-030	CHUTE, GUARD ASSEMBLY	1
5-107	0209-108	BOLT, 5/16" X 3/4" USS	4
5-108	0209-108	BOLT, 5/16" X 3/4" USS	4
5-109	0102-147	ARM, ASSEMBLY C/S LH	1
5-110	0102-148	ARM, ASSEMBLY C/S RH	1
5-111	0209-108	BOLT, 5/16" X 3/4" NC	2
5-112	2301-004	WASHER, 5/16" LOCK	2
5-113	2301-102	WASHER, 3/8" FLAT	2
5-114	1913-120	SPACER	2
5-115	1913-120	SPACER	2
5-116	1913-121	SPACER	2
5-117		NOT USED	
5-118	2301-098	WASHER, FLAT 1"	2
5-119	1806-002	O-RING RUBBER	2
5-120	0215-122	BRASS BUSHING	2
5-121	0603-004	GREASE FITTING	2
5-122	0215-122	BRASS BUSHING	2
5-123	1806-002	O-RING RUBBER	2
5-124	2301-098	WASHER, FLAT 1"	2

ILLUSTRATED PARTS LIST

FIGURE KEY NUMBER INDEX

KEY	PART NO.	DESCRIPTION	QTY
5-125	2501-040	WHEEL YOKE	2
5-126	0209-168	BOLT, 5/8" X 6 1/2" NF	2
5-127	1401-072	NUT, 5/8" LOCK NF	2
5-128	2305-059	WHEEL FRONT	2

FIGURE KEY NUMBER INDEX

KEY	PART NO.	DESCRIPTION	QTY
6-1	0307-026	CLAMP, FUEL LINE	1
6-2	0610-011	FILTER, FUEL	1
6-3	0307-026	CLAMP, FUEL LINE	1
6-4	0812-066	HOSE, FUEL LINE	1
6-5	1102-002	KEY, 1/4" X 1/4" X 1"	1
6-6	0705-055	GUIDE	1
6-7	2301-021	WASHER, FLAT 5/16"	3
6-8	2301-004	WASHER, LOCK 5/16"	3
6-9	0209-117	BOLT, 5/16" X 1: NF	3
6-10	1102-002	KEY, 1/4" X 1/4" X 1"	1
6-11	1608-403	PULLEY, ENGINE LOWER	1
6-12	1608-401	PULLEY, ENGINE	1
6-13	0209-809	BOLT, 7/16" X 1" NF	1
6-14	2301-007	WASHER, LOCK 7/16"	1
6-15	2301-077	WASHER, 5/16"	1
6-16	2301-098	WASHER, 1 5/8"OD X 1 1/64"ID	2
6-17	0209-126	BOLT, 5/16" X 1 1/2" NC	1
6-18	2301-004	WASHER, LOCK 5/16"	1
6-19	1401-020	NUT, 5/16" NC	1
6-20	0811-041	HARNES	1
6-21	1923-034	MODULE, ENGINE	1
6-22	E254	ENGINE SOVEREIGN BY WISCONSIN	1

FIGURE KEY NUMBER INDEX

KEY	PART NO.	DESCRIPTION	QTY
7-1	0401-372	DECAL, HANDLE PANEL	1
7-2	0401-358	DECAL, GAS ONLY	1
7-3	0401-111	DECAL, DANGER CUTTING BLADES	1
7-4	0401-110	DECAL, WARNING CHUTE	1
7-5	0401-111	DECAL, DANGER CUTTING BLADES	1
7-6	0401-221	DECAL, ANSI B71.4 1984	1
7-7	0401-223	DECAL COMMERCIAL USE ONLY	1